

BAA LEDA19 A19 LED LAMP



BUY AMERICAN ACT (BAA) COMPLIANT.
 PERFECT ALTERNATIVE TO STANDARD INCANDESCENT LAMPS.
 UNIQUE LAMP DESIGN PROVIDES OMNI-DIRECTIONAL LIGHT.
 AVAILABLE DIMMABLE AND NON-DIMMABLE.



PART NUMBER BUILDER

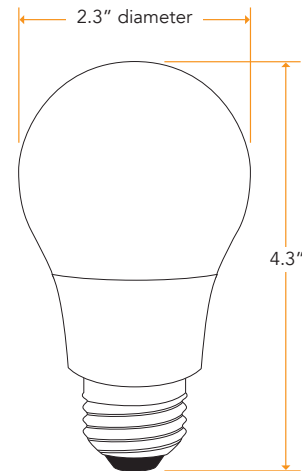
MANUFACTURER	MODEL NUMBER	LUMENS	CRI/CCT	BASE	OPTIONS
RPT	LEDA19	80L		E26	
			827		BLANK
			830		NON-DIMMABLE
			840		LVD
					LINE VOLTAGE
					DIMMABLE

ORDERING EXAMPLE
 RPT-LEDA19-80L-840-E26

QUICK SPECS

INPUT VOLTAGE	120VAC
EFFICACY	89 LPW
OPERATING TEMP	-35°C to 55°C
MAX CASE TEMP	55°C
POWER FACTOR/THD	>0.9 Power Factor, THD<15%
CRI	80+
BEAM ANGLE	270°
RATED LIFE	L70 25,000 hrs
WARRANTY	3 years

DIMENSIONS



* This device complies with Part 15 Class B of the FCC rules. Operation is subject to the following two conditions: (1) this device may not cause harmful interference, and (2) this device must accept any interference received, including interference that may cause undesired opera

ORDERING GUIDE

CASE QTY	ENERGY STAR	DLC	PART #	LUMEN OUTPUT (LM)	WATTAGE (W)	VOLTAGE RANGE (V AC)	WARRANTY (YRS)	TRADITIONAL EQUIVALENT
50			RPT-LEDA19-80L-8XX-E26	800	9	120	3	60W INCANDESCENT
50			RPT-LEDA19-80L-8XX-E26-LVD	800	9	120	3	60W INCANDESCENT

07.17 Information is subject to change without notice.

RemPhos Technologies LLC • p 877.997.3674 • www.remphos.com
 90 Holten Street • Danvers, MA 01929 • USA • sales@remphos.com

RemPhos
 lighting on target