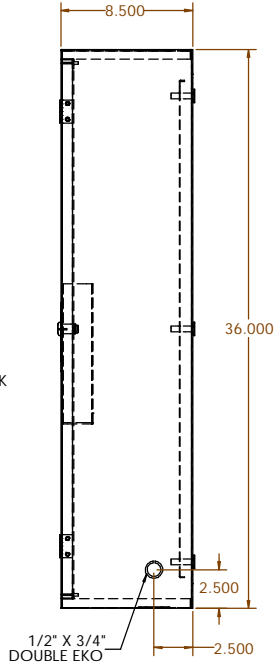
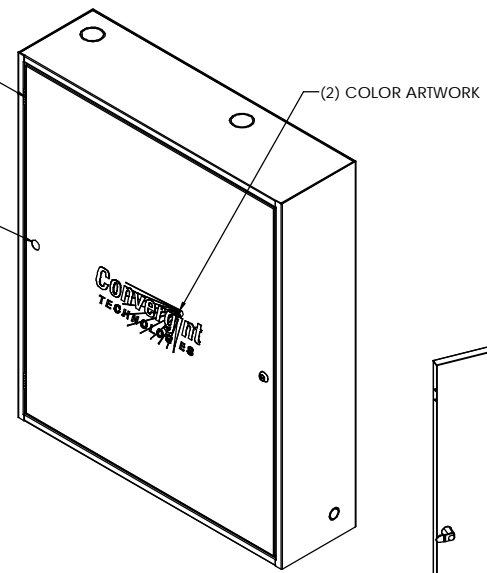
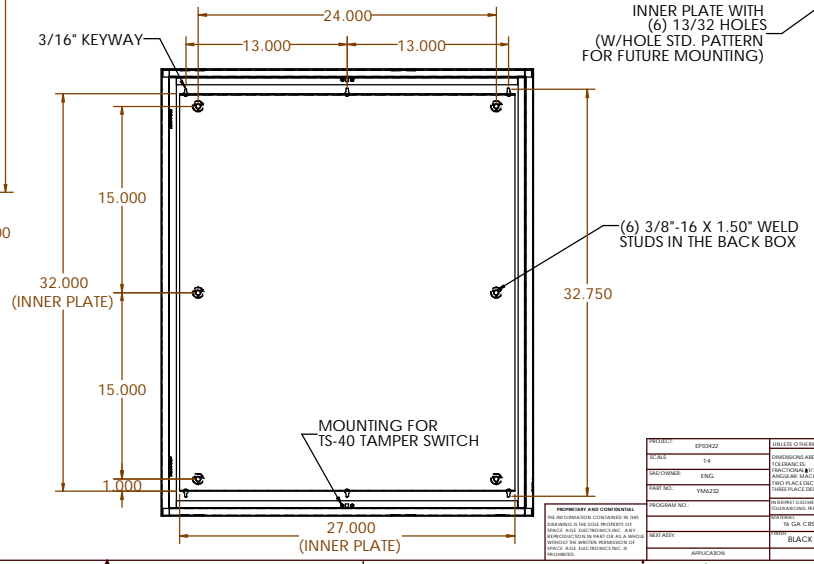
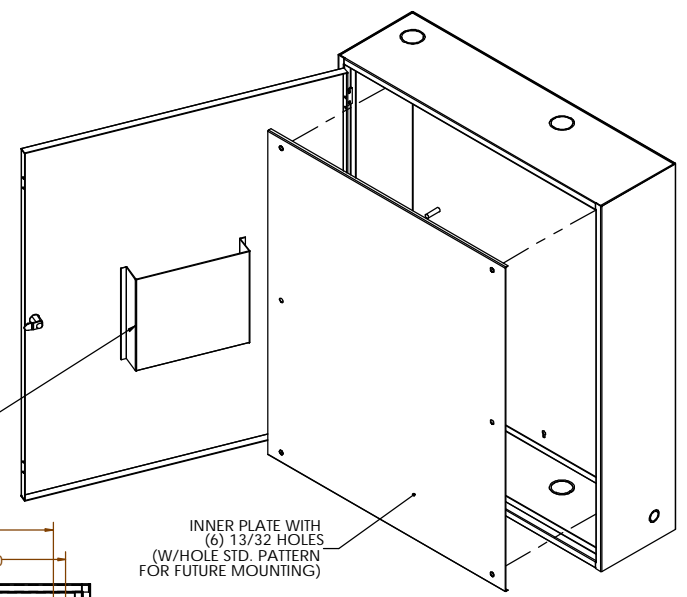


(2) BUTT HINGES FOR FIELD SELECTABLE DOOR OPERATION  
(2) 3/4" KNOCKOUTS FOR FIELD SELECTABLE DOOR OPERATION



10"W X 9"HX2" DP POCKET



MEMORANDUM AND CONFIDENTIAL  
ALL INFORMATION CONTAINED HEREIN IS UNCLASSIFIED EXCEPT WHERE SHOWN OTHERWISE IN FULL OR AS A SINGLE ELEMENT AND IS SUBJECT TO THE NATIONAL ARCHIVES DECLASSIFICATION AUTHORITY.

PROJECT:	EP0422	UNLESS OTHERWISE SPECIFIED DIMENSIONS ARE IN INCHES	DESIGNER:	NAME:	DATE:	
SCALE:	1:1	TO DRAWING:	CHECKED:			
DRAWN/ENGR:	END	APPROVED BY:	DATE:			CONV ENCLASURE 30"x36"x8.5"
PART NO.:	VERA222	REVISIONS:	DATE:			SECURITY, 2 COLOR SCREENED COV
PROGRAM NO.:		ISSUED:	DATE:			SIZE DWG. NO. CP40414
REV. NO.:		DATE:	DATE:			REV 1
APPLICATOR:		DATE:	DATE:			SCALE: 1:1 WEIGHT: SHEET 1 OF 1