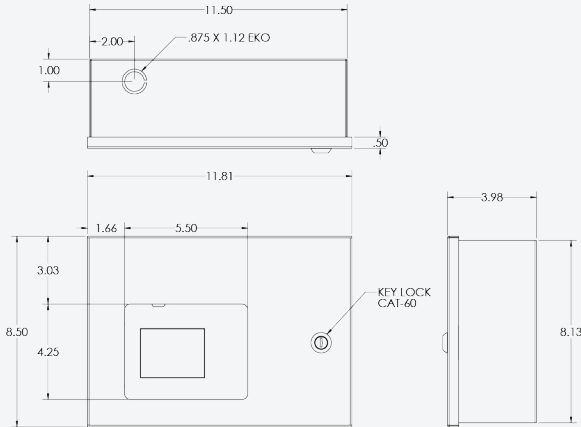


Master Command Panel



Features

- Master Command Panel can address up to 30 Remotes
- 16 gauge steel housing with latched protective door
- 4" color touch screen interface
- Push to talk microphone
- Integrated 2 watt mylar cone speaker with vandal resistant grille
- Terminal strip for 2-wire RS-485 and 24V power

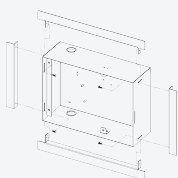
Shield30 is a two-way **Emergency Communication System** compliant with IBC Area of Refuge requirements.

Specifications

16 gauge steel enclosure with latched protective outer door can be flush or surface mounted. 4" touch screen for access to emergency, trouble events and configuration information. User can quickly and easily communicate with up to 30 Remote units with a push to talk microphone. Remote units are individually identified through configuration program. Terminal strip for RS-485 and 24V power. Integrated 2 watt mylar cone speaker with vandal resistant grille. Operating instructions printed on the inside of the door. Optional contact ID enabled dialer may be mounted in Panel or Communicator Enclosure.

Ordering Information

P/N#	Description
SM30B	Master Command Panel
SMFB	Adjustable Flange Kit



Adjustable Flange Kit
 (P/N# SMFB) sold separately.