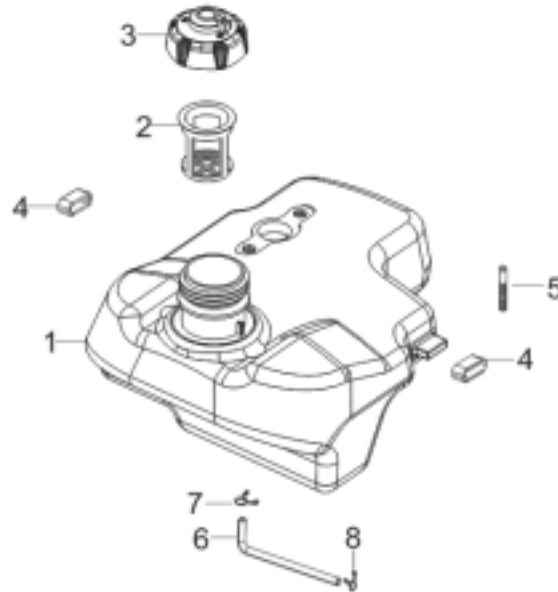




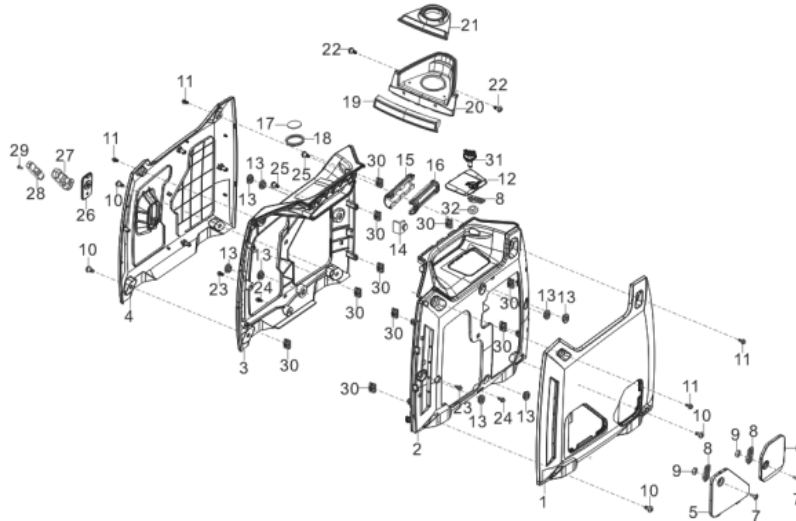
2100 WATT INVERTER BREAKDOWN

BE2100I

FUEL TANK



FUEL TANK				
REF #	Main Description	Secondary Description	QTY	Part #
3	Fuel Tank Cover	Fuel Tank Cover	1	85.571.543



COVER

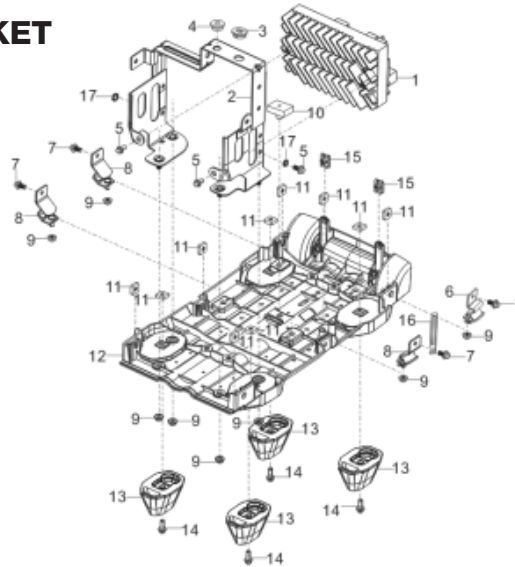
COVER				
REF #	Main Description	Secondary Description	QTY	Part #
1	Right Outside Cover	Right Outside Cover	1	85.571.534
4	Left Outside Cover	Left Outside Cover	1	85.571.535
5	Left Inside Cover	Left Inside Cover	1	85.571.536
6	Right Inside Cover	Right Inside Cover	1	85.571.537



2100 WATT INVERTER BREAKDOWN

BE2100I

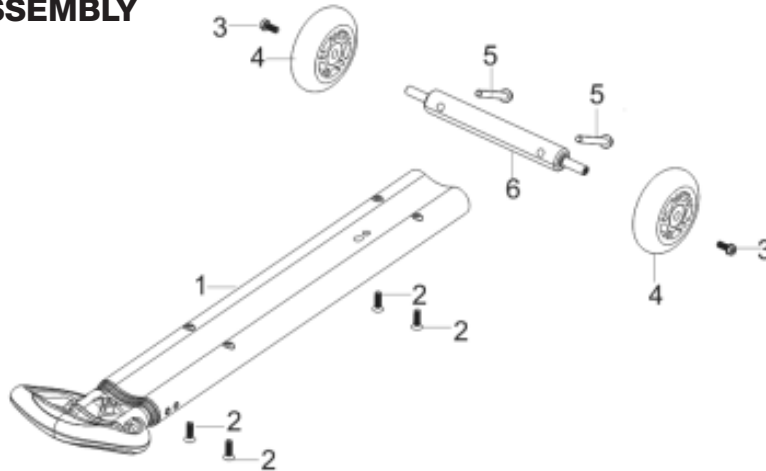
BOTTOM PANEL, MOUNTING BRACKET



BOTTOM PANEL, MOUNTING BRACKET

REF #	Main Description	Secondary Description	QTY	Part #
1	Inverter Module	Inverter Module	1	85.571.551

HANDLE, WHEEL ASSEMBLY



HANDLE, WHEEL ASSEMBLY

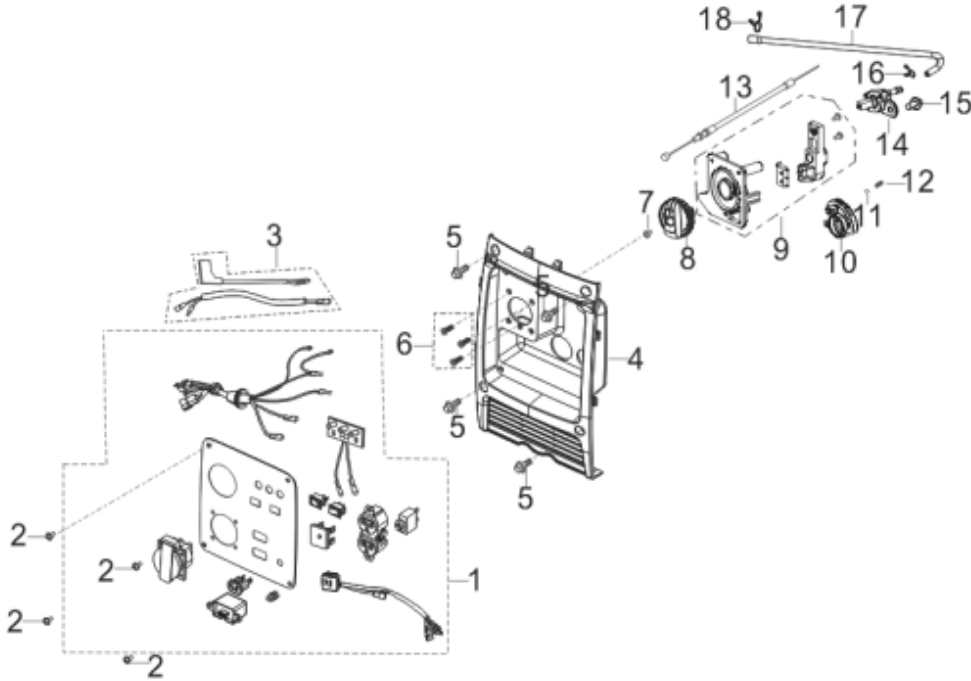
REF #	Main Description	Secondary Description	QTY	Part #
1	Handle Tube Assembly	Handle Tube Assembly	1	85.571.554
3	Wheel Kit	Crosshead Headband Bolts	2	85.571.555
4		Wheel Front	2	
5		Bolt	2	
6		Front Wheel Shaft	1	



2100 WATT INVERTER BREAKDOWN

BE2100I

CRANKCASE COVER



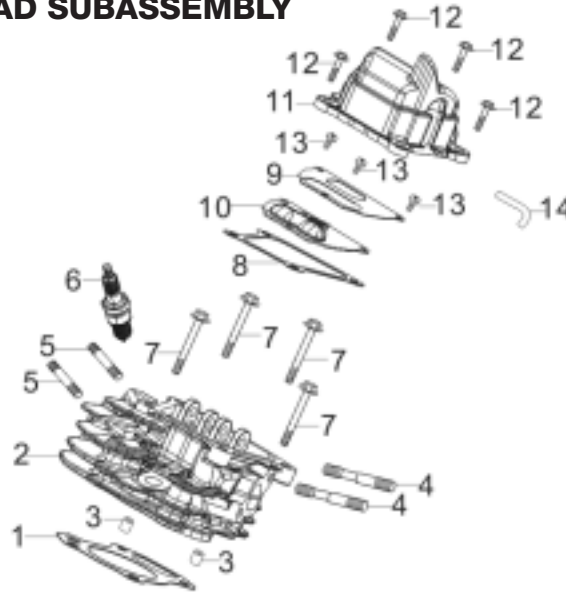
Crankcase Cover				
REF #	Main Description	Secondary Description	QTY	Part #
1	Control Panel Assy	Control Panel Assy	1	85.571.552
2		Crosshead Headband Bolts	4	
3		Control Panel Wiring Harness	1	
4		Panel Seat	1	
6	Fuel Shut Off Assy	Cross Groove Pan Screw	3	85.571.553
7		Screw	1	
8		Knob	1	
9		Switch Assembly	1	
10		Cover Plate	1	
11		Steel Ball	1	
12		Stopper Adjusting Spring	1	
13		Choke Handle Subassembly	1	
14		Fuel Cock Assy	1	
15		Bolt	1	
16		Collar	1	
17		Fuel Tube	1	
18		Collar	1	



2100 WATT INVERTER BREAKDOWN

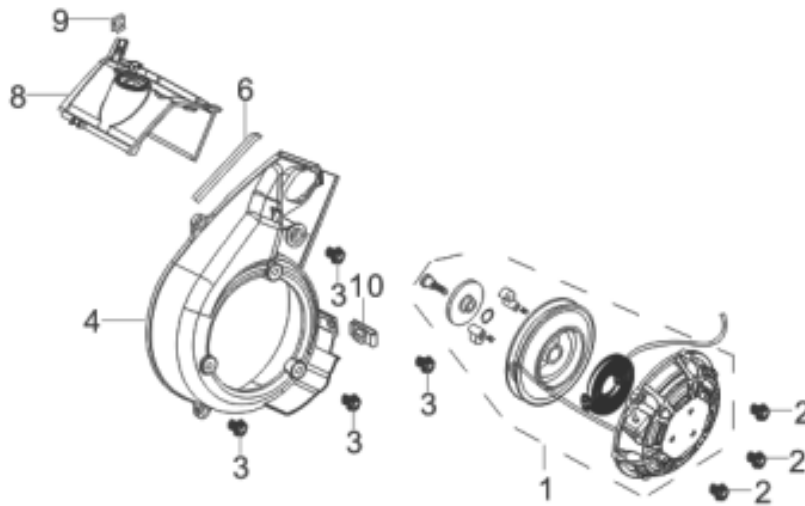
BE2100I

CYLINDER/ PLUG/ SPARK HEAD SUBASSEMBLY



CYLINDER/ PLUG/ SPARK HEAD SUBASSEMBLY				
REF #	Main Description	Secondary Description	QTY	Part #
1	Cylinder Head Cover Gasket	Cylinder Head Gasket	1	85.571.556
6	Spark Plug	Spark Plug	1	85.571.522

RECOIL STARTER



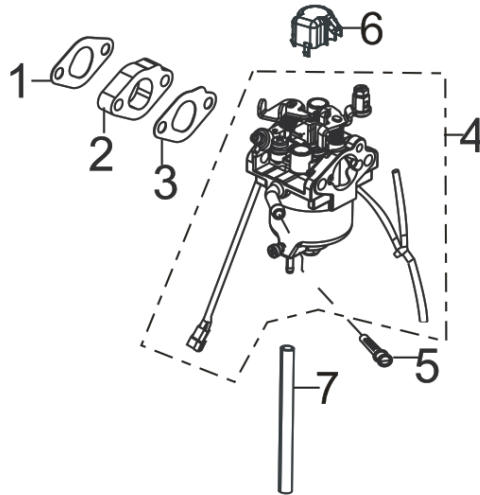
RECOIL STARTER				
REF #	Main Description	Secondary Description	QTY	Part #
1	Starter Recoil Assy	Starter Recoil Assy	1	85.571.558



2100 WATT INVERTER BREAKDOWN

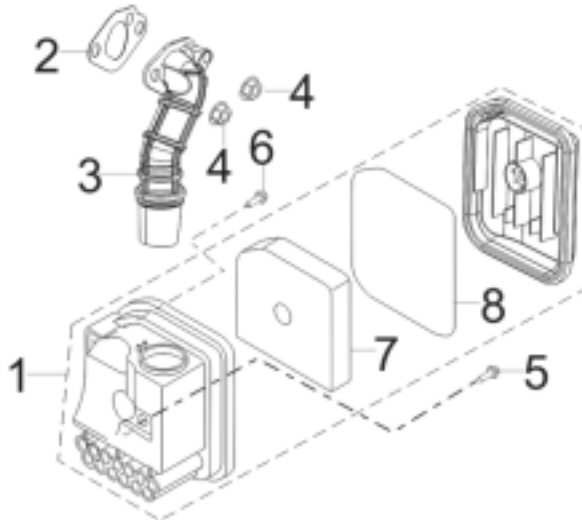
BE2100I

CARBURETOR ASSEMBLY



CARBURETOR ASSEMBLY				
REF #	Main Description	Secondary Description	QTY	Part #
1	Carburetor Assy	Carburetor Gasket	1	85.571.557
2		Carburetor Insulator Plate	1	
3		Carburetor Insulator Gasket	1	
4		Carburetor Assy	1	
5		Fuel Filter	1	
6		Cap	1	
7		Fuel Tube	1	

AIR CLEANER



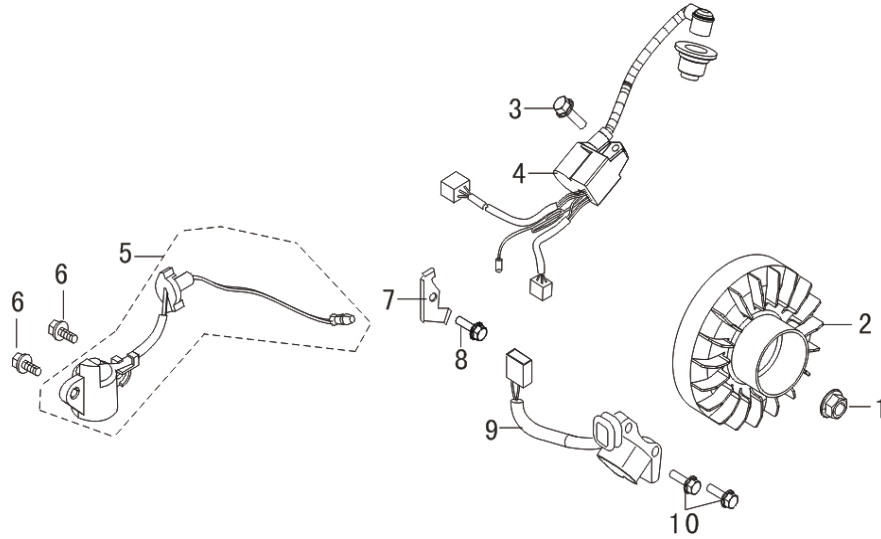
AIR CLEANER				
REF #	Main Description	Secondary Description	QTY	Part #
1	Air Cleaner	Air Cleaner	1	85.571.528



2100 WATT INVERTER BREAKDOWN

BE2100I

IGNITION COIL



IGNITION COIL				
REF #	Main Description	Secondary Description	QTY	Part #
4	Ignition	Ignition	1	85.571.529
9	Ignituion Coil	Ignituion Coil	1	85.571.510