

Installation Instructions

TC1 18 PT CAB INSTALL INSTR



Installation and wiring should be performed by qualified personnel only - Equipment damage and/or malfunction may result from improper installation. Remove all power from the system until the installation is complete and ready for testing. All work of any kind shall be performed to meet the requirements of any and all local, state and federal codes and/or standards set by the authority having jurisdiction.

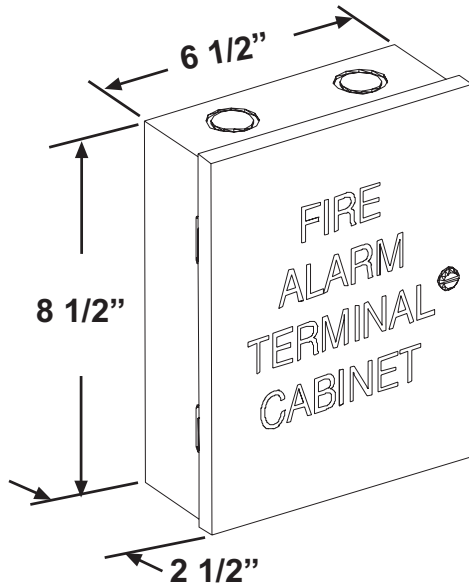
Warning: This enclosure is for Low Voltage Only!

Installation Procedure

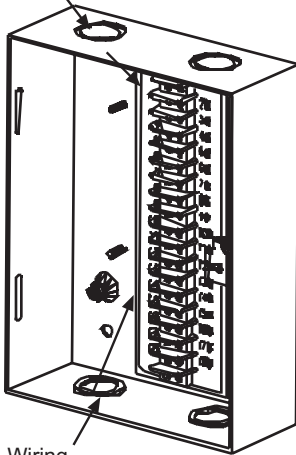
- Remove lift-away cover from back box and set aside.
- Place back box on wall where it is to be mounted and mark the location of holes to mount box to the wall.
- Drill appropriate size holes in wall for appropriate mounting screws being used, (screws not supplied).
- Mount back box to wall with appropriate hardware (not supplied).
- Replace cover onto unit.

Equipment Supplied

- (1) Cover W/labeling for terminal strips
- (1) Back box W/(1) 18 point terminal points
- (1) Installation Instructions



* Power-Limited Wiring



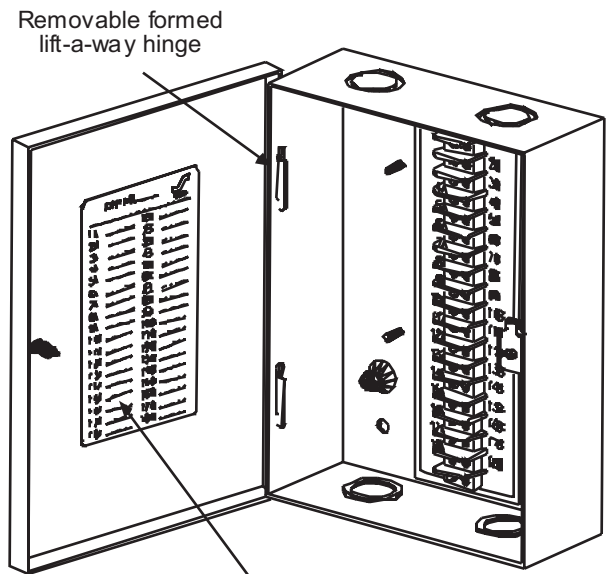
* Nonpower-Limited Wiring

* UL Power-Limited Wiring Requirements:

Power-Limited and nonpower-limited circuit wiring must remain separated in the cabinet. All power-limited circuit wiring must remain at least 0.25" away from nonpower-limited wiring. Furthermore, all power-limited circuit wiring and nonpower-limited wiring must enter and exit the cabinet through different knockouts and/or conduits. 20 amps maximum.

Ordering Information:

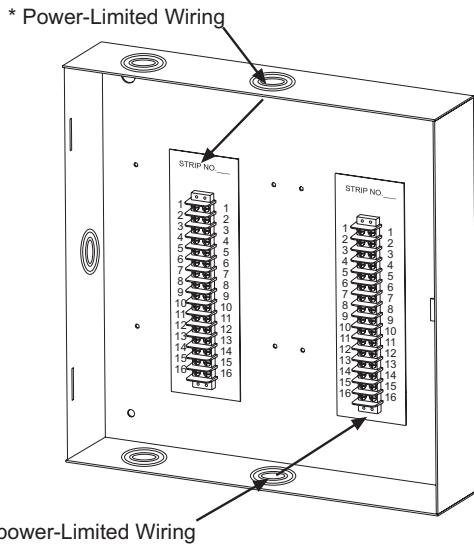
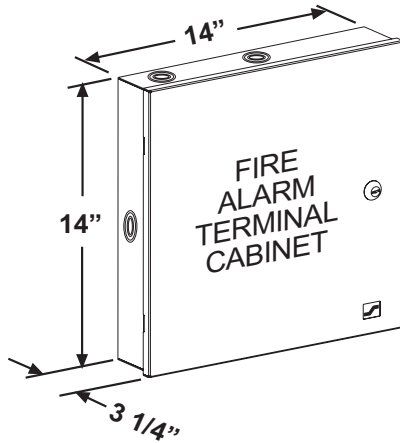
Part #	Description
SSU00635	TC1 18 Point Terminal Cabinet



Terminal Point Identification Labels*

Installation Instructions

TC2-32



* UL Power-Limited Wiring Requirements:

Power-Limited and nonpower-limited circuit wiring must remain separated in the cabinet. All power-limited circuit wiring must remain at least 0.25" away from nonpower-limited wiring. Furthermore, all power-limited circuit wiring and nonpower-limited wiring must enter and exit the cabinet through different knockouts and/or conduits. 20 amps maximum.

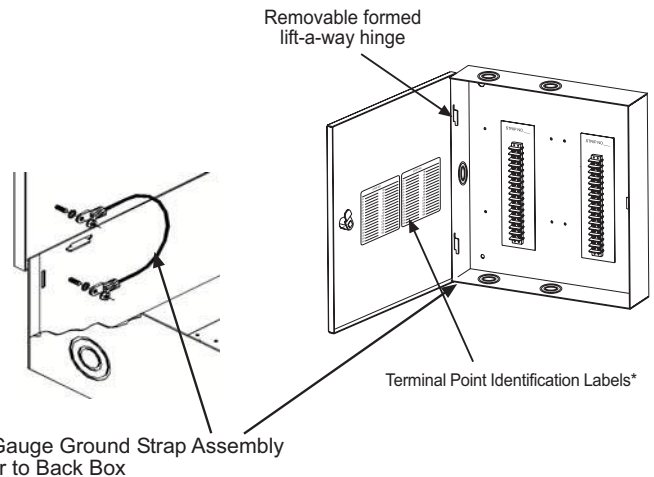
Installation and wiring should be performed by qualified personnel only - Equipment damage and/or malfunction may result from improper installation. Remove all power from the system until the installation is complete and ready for testing. All work of any kind shall be performed to meet the requirements of any and all local, state and federal codes and/or standards set by the authority having jurisdiction.

Installation Procedure

- Remove lift-away cover from back box and set aside.
- Place back box on wall where it is to be mounted and mark the location of holes to mount box to the wall.
- Drill appropriate size holes in wall for appropriate mounting screws being used, (screws not supplied).
- Mount back box to wall with appropriate hardware (not supplied).
- Replace cover onto unit.

Equipment Supplied

- (1) Cover W/labeling for terminal strips
- (1) Back box W/ (2) 16 point terminal points
- (1) Installation Instructions



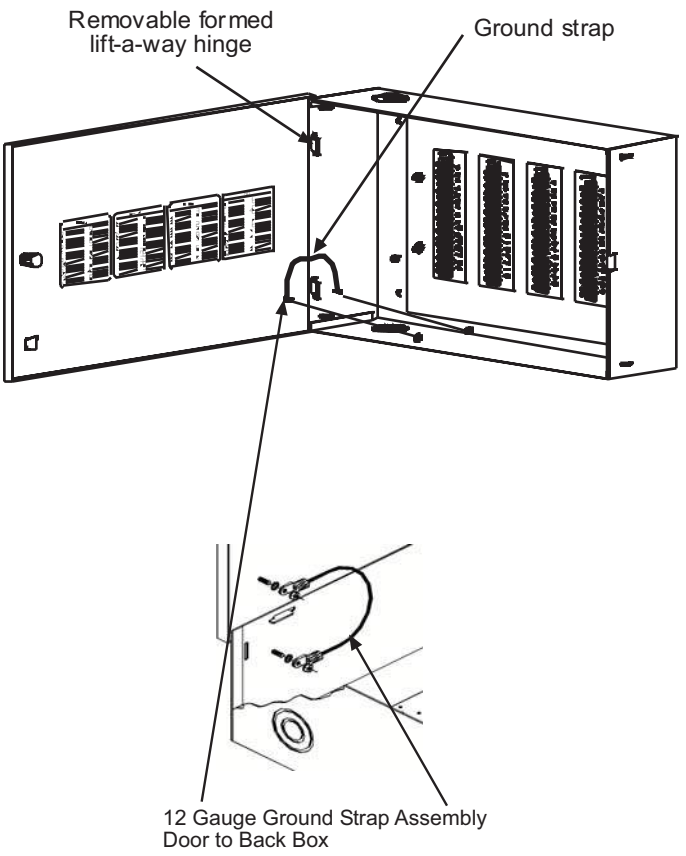
Ordering Information:

Part #	Description
SSU00645	TC2-32 32 Point Terminal Cabinet

Space Age Electronics, Inc.
 www.1sae.com
 508.485.0966 - voice
 508.485.4740 - fax

Installation Instructions

TCXA/D 64/128 Point Terminal Cabinet



Installation and wiring should be performed by qualified personnel only - Equipment damage and/or malfunction may result from improper installation. Remove all power from the system until the installation is complete and ready for testing. All work of any kind shall be performed to meet the requirements of any and all local, state and federal codes and/or standards set by the authority having jurisdiction.

Installation Procedure

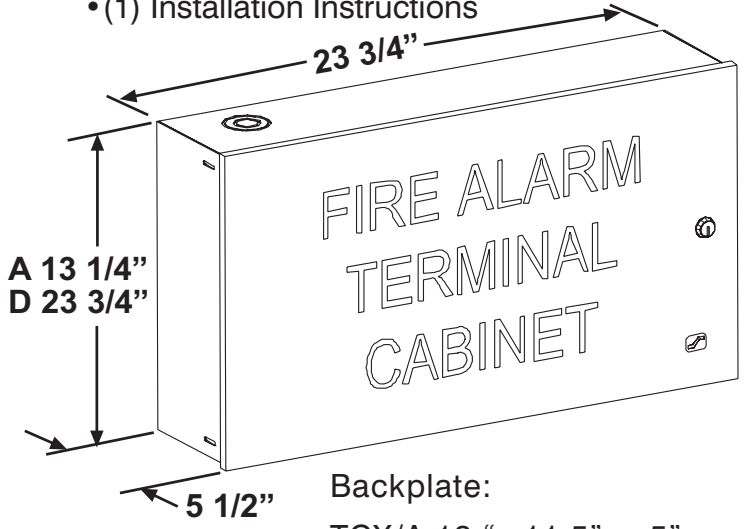
- Remove lift-away cover from back box and set aside.
- Place back box on wall where it is to be mounted and mark the location of holes to mount box to the wall.
- Drill appropriate size holes in wall for appropriate mounting screws being used, (screws not supplied).
- Mount back box to wall with appropriate hardware (not supplied).
- Replace cover onto unit.
- Install ground strap w/(2) supplied screws

Equipment Supplied

- (1) Cover with labeling for terminal strips
- (1) Back box with (4)/(8) 16 point terminal points on an 18 GA galvanized plate.
- (1) Ground strap kit
- (1) Installation Instructions

* UL Power-Limited Wiring Requirements:

Power-Limited and nonpower-limited circuit wiring must remain separated in the cabinet. All power-limited circuit wiring must remain at least 0.25" away from nonpower-limited wiring. Furthermore, all power-limited circuit wiring and nonpower-limited wiring must enter and exit the cabinet through different knockouts and/or conduits. 20 amp maximum.



Ordering Information:

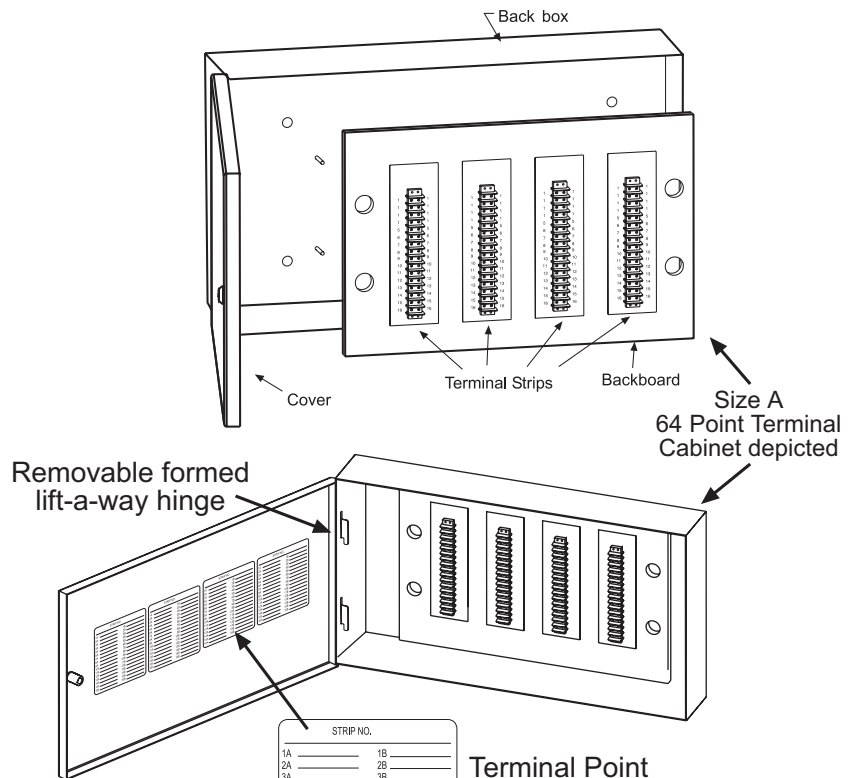
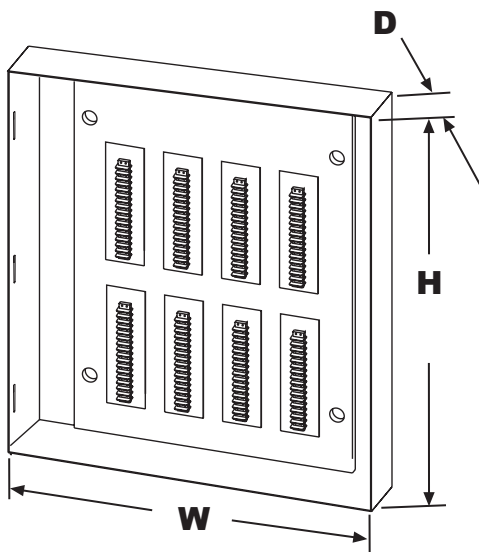
Part #	Description
SSU00651	TCX/A 64 Point Terminal Cabinet
SSU00653	TCX/D 128 Point Terminal Cabinet

Backplate:
 TCX/A 18 "x 11.5" x .5"
 TCX/D 18"x 22"x .5"

Description:

The **TCX Terminal Cabinet** is constructed of 16 gauge (.062 thk.) cold rolled steel and finished with a durable red textured, heat-resistant baked-on enamel finish. The front cover displays "FIRE ALARM TERMINAL CABINET" in 1-3/4" white indelible screened lettering and features a removable formed lift-a-way hinge and a high security CAT 30 keyed door lock. The interior of the box contains field identification labels on the inside cover corresponding to the terminal strip's labeling inside the back box. The cabinet employs dual 16 point high barrier terminal strips rated for 12 gauge wire and 20 amp max 250V (Class B/UL) 300V (CSA). The dual barrier terminal strips are mounted on a durable 18 GA cold rolled steel galvanized finish backboard and secured to the back box. Custom finish and legend available. The cabinet includes embedded 1/2", 3/4", 1", 1 1/2" and 2" EMT knockout clusters.

Size	# of Terminal Points	Overall Dimensions of Cabinet		
		W	H	D
A	64	23 3/4"	13 1/4"	5 1/2"
D	128	23 3/4"	23 3/4"	5 1/2"



STRIP NO.	
1A	1B
2A	2B
3A	3B
4A	4B
5A	5B
6A	6B
7A	7B
8A	8B
9A	9B
10A	10B
11A	11B
12A	12B
13A	13B
14A	14B
15A	15B
16A	16B

*Not to scale

Ordering Information:

Part #	Description
SSU00651	TCXA 64 Point Terminal Cabinet - Red
SSU00653	TCXD 128 Point Terminal Cabinet - Red

Space Age Electronics, Inc.
 www.1sae.com
 508.485.0966—voice
 508.485.4740—fax