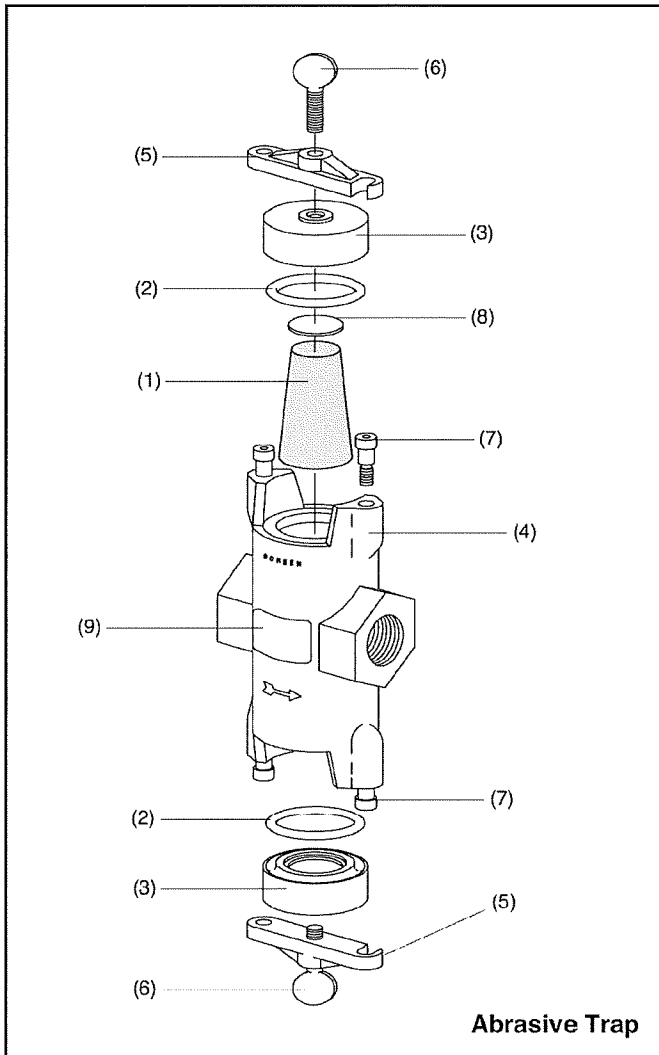


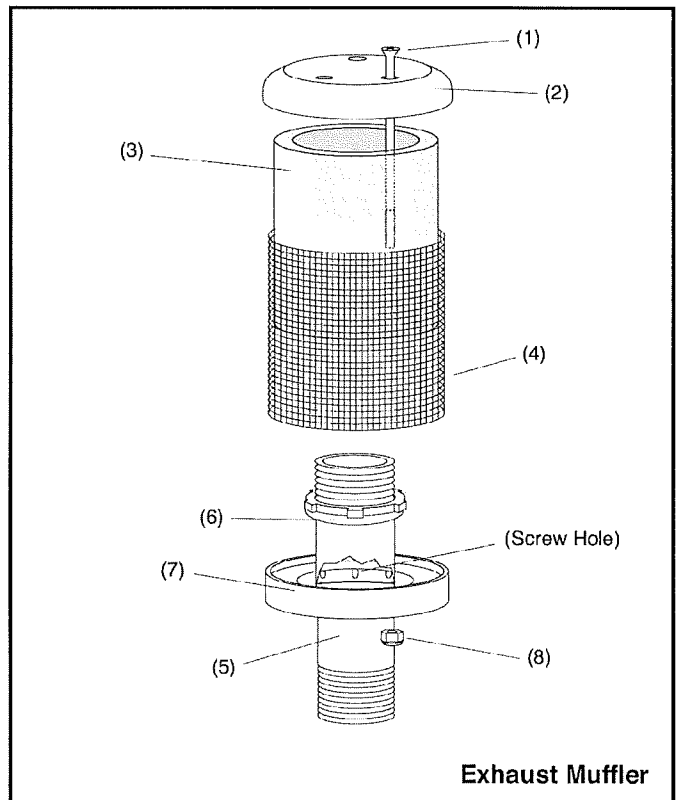
ABRASIVE TRAP/EXHAUST MUFFLER



Abrasive Trap

Description	Stock No.	Price	Disc.	Wt.
(-) Abrasive trap	02011			4
1. Screen	02012			<.5
2. O-ring	02013			<.5
3. Cap	02014			<.5
4. Body	02015			2
5. Lock bar	02016			<.5
6. Screw, 3/8-NC x 1" thumb	03289			<.5
7. Shoulder screw, 3/8" x 3/8"	03291			<.5
8. Gasket, screen, 1/8" thick	02434			<.5
9. Label, "clean twice daily" ...	02129			<.5
(-) Service kit, includes 02434, 02129, 2 ea 02013, and 3 ea 02012	01925			<.5

Description	Stock No.	Price	Disc.	Wt.
(-) Exhaust Muffler	05068			1.5
1. Screw, 8-32 x 4"	05061			<.5
2. Cap, coated	05067			<.5
3. Body, muffler	05065			<.5
4. Screen	05060			<.5
5. Guide w/lock nut	22344			1
6. O-ring, 1-1/4" ID	05069			<.5
7. Seat	05062			<.5
8. Lock-nut, 8-32 ss	05815			<.5



Exhaust Muffler