



McGuire Manufacturing Co., Inc.

60 Grandview Court
 Cheshire, Connecticut 06410
 (203) 699-1801 Fax (203) 699-1813
 customerservice@mcguiremfg.com mcguiremfg.com

PRODUCT SPECIFICATION

Part No.

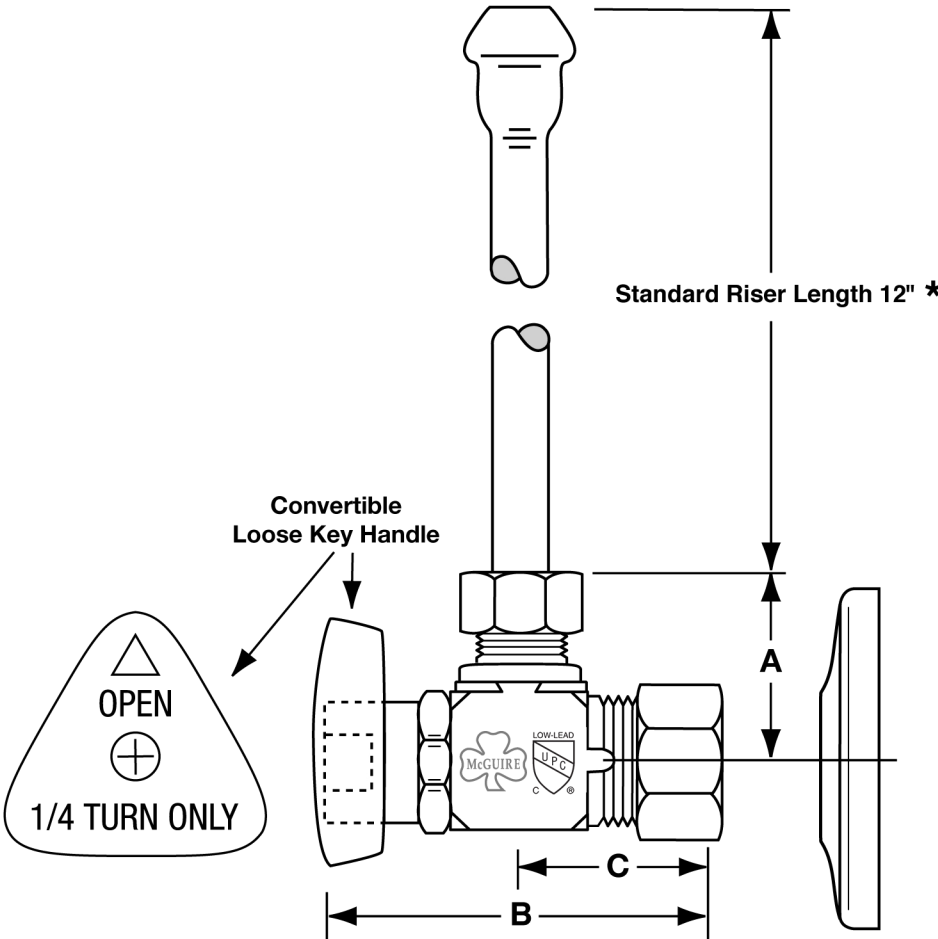
LFBV2-2165CC-Special Finish

Select Product # Below

Job Name: _____

Submittal Number: _____

convertible™ II
 ball valve



Available Special Finish Types

PVD (Plasma Vapor Disposition)		
<input type="radio"/>	LFBV2-2165CCBSPVD	Brushed Stainless (BS)
<input type="radio"/>	LFBV2-2165CCBGPVD	Brushed Gold (BG)
<input type="radio"/>	LFBV2-2165CCBNPVD	Brushed Nickel (BN)
<input type="radio"/>	LFBV2-2165CCPNPVD	Polished Nickel (PN)
<input type="radio"/>	LFBV2-2165CCBPVD	Polished Brass (PB)
Plated		
<input type="radio"/>	LFBV2-2165CCVB	Venetian Bronze (VB)
<input type="radio"/>	LFBV2-2165CCORB	Oil Rub Bronze (ORB)
Coated		
<input type="radio"/>	LFBV2-2165CCMB	Matte Black (MB)

NO.	DESCRIPTION	ROUGHING MEASUREMENTS		
		A	B	C
LFBV2-2165CC	1/2" Nominal x 3/8" O.D.	1-3/16"	2-1/2"	1-1/4"



Specifications:

McGuire's Special Finish series, lead free, commercial pattern Quarter-Turn Brass Ball Valve with convertible loose key handle, flexible copper riser and shallow steel flange. Inlet shall be 1/2 inch compression. Outlet shall be 3/8 inch compression. Supply kit shall be McGuire _____. Supply kit shall be certified by recognized authority and bear manufacturer and testing mark.



WARNING:

This product can expose you to chemicals including lead, which is known to the State of California to cause cancer, and birth defects or other reproductive harm. For more information go to www.P65Warnings.ca.gov.