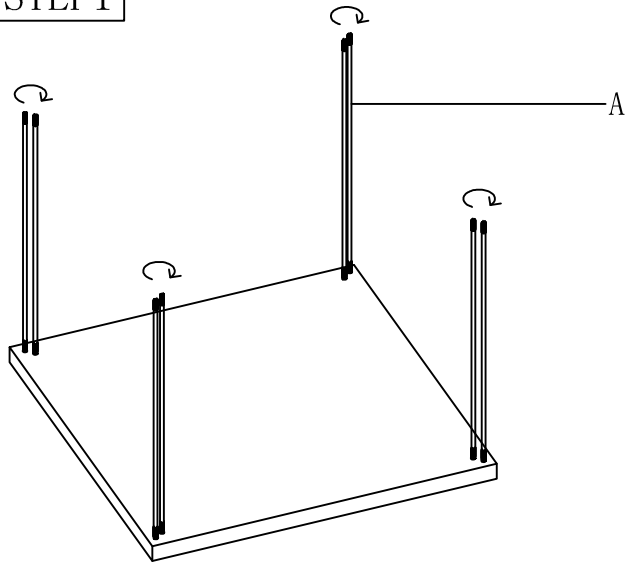


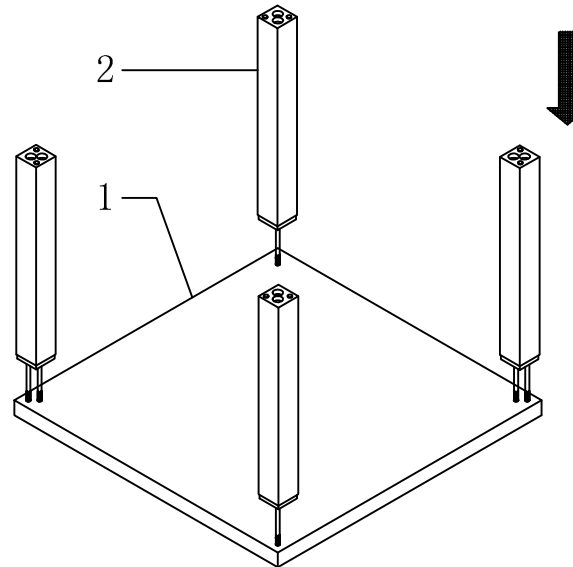
ASSEMBLY INSTRUCTION

Item name: SARAH MODEL MODEL NUMBER: G5655-62/G5655-64 TABLE

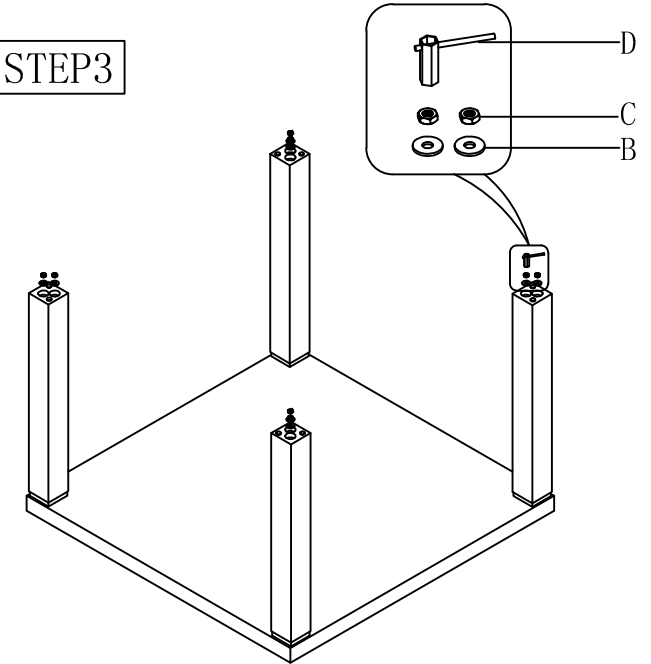
STEP1



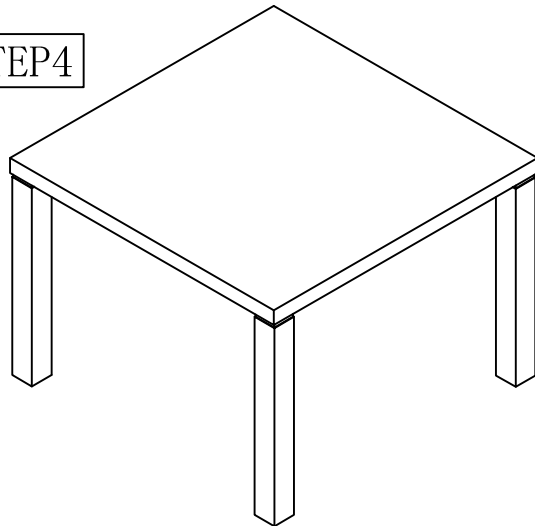
STEP2



STEP3



STEP4



Attention: When assembly is complete, set the table upright on its base. With at least 2 people, carefully lift the table up from underneath the glass and rotate onto the base

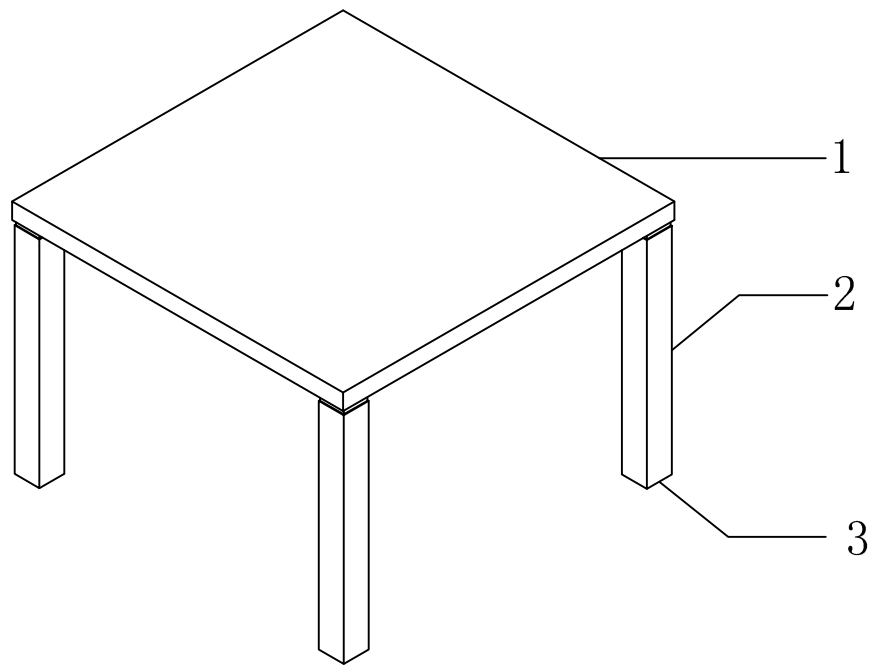
Caution:

Do not use the base to lift.

Do not lean or support the table on the side of the base as damage may occur

When moving the table make sure to pick up the table and place in desired location. Damage can occur if the legs are dragged across the floor.

A		8pcs	Threaded Rod M8*735mm
B		8pcs	Washer Ø22mm
C		8pcs	Nut M8
D		1pc	14mm wrench



		Part Description	Quantity
G5655-62	1	Table Top	1
G5655-64	2	Leg	4
	3	Glide ($\phi 18\text{mm} * 5\text{mm}$)	8