

## Master Series Heavy-Duty Open Burner Top Range

Project \_\_\_\_\_  
 Item \_\_\_\_\_  
 Quantity \_\_\_\_\_  
 CSI Section 11400  
 Approved \_\_\_\_\_  
 Date \_\_\_\_\_

### Models

- M44R
- M44S
- M44T



Model M44R  
Shown with Optional  
Backguard

### Standard Features

- Stainless steel front and sides
- 6" (152mm) chromed steel adj. legs
- 7-1/2" (191mm) stainless steel front rail
- Four 35,000 BTU, (10.25 kW), (natural gas) or 32,000 BTU (9.37kW) (propane), two-piece Starfire burners with removable heads
- Removable ring grate & bowl over each burner
- Cast-iron top grates
- One-piece stainless steel drip tray
- Piezo spark ignition for oven
- Fully porcelainized oven interior
- 40,000 BTU, (11.72 kW) natural gas or 35,000 BTU (10.25kW) propane, cast-iron oven burner
- Storage base interior of aluminized steel

### Options & Accessories

- Stainless steel main back
- Stainless steel common front rail up to 102" (2591mm) wide (two or more units in a battery)
- Stainless steel oven interior
- Convection oven base, add C to Model No., e.g. M44RC
- Additional oven rack
- Rear gas connection, 3/4" or 1" NPT
- Gas regulator 3/4" or 1-1/4"
- Gas shut off valve; 3/4", 1" or 1-1/4" NPT
- Gas flex hose & quick disconnect (3/4", 1" or 1-1/4" NPT x 5') w/ restraining device, please specify
- End caps and cover, NC specify
- Set of 4 Polyurethane non-marking swivel casters w/front brakes
- 6" (152mm) stainless steel adj. legs
- Dais base (not for use with "RC" oven)
- Storage base shelf of aluminized or stainless steel
- Stainless steel tubular high shelf, single or double-deck
- Stainless steel backguard: 10" (354mm), 17" (432mm) or 33" (838mm)
- 230 volt, 50 cycle components, RC motor (export)
- Celsius dial for oven thermostat (NC)

### Specifications

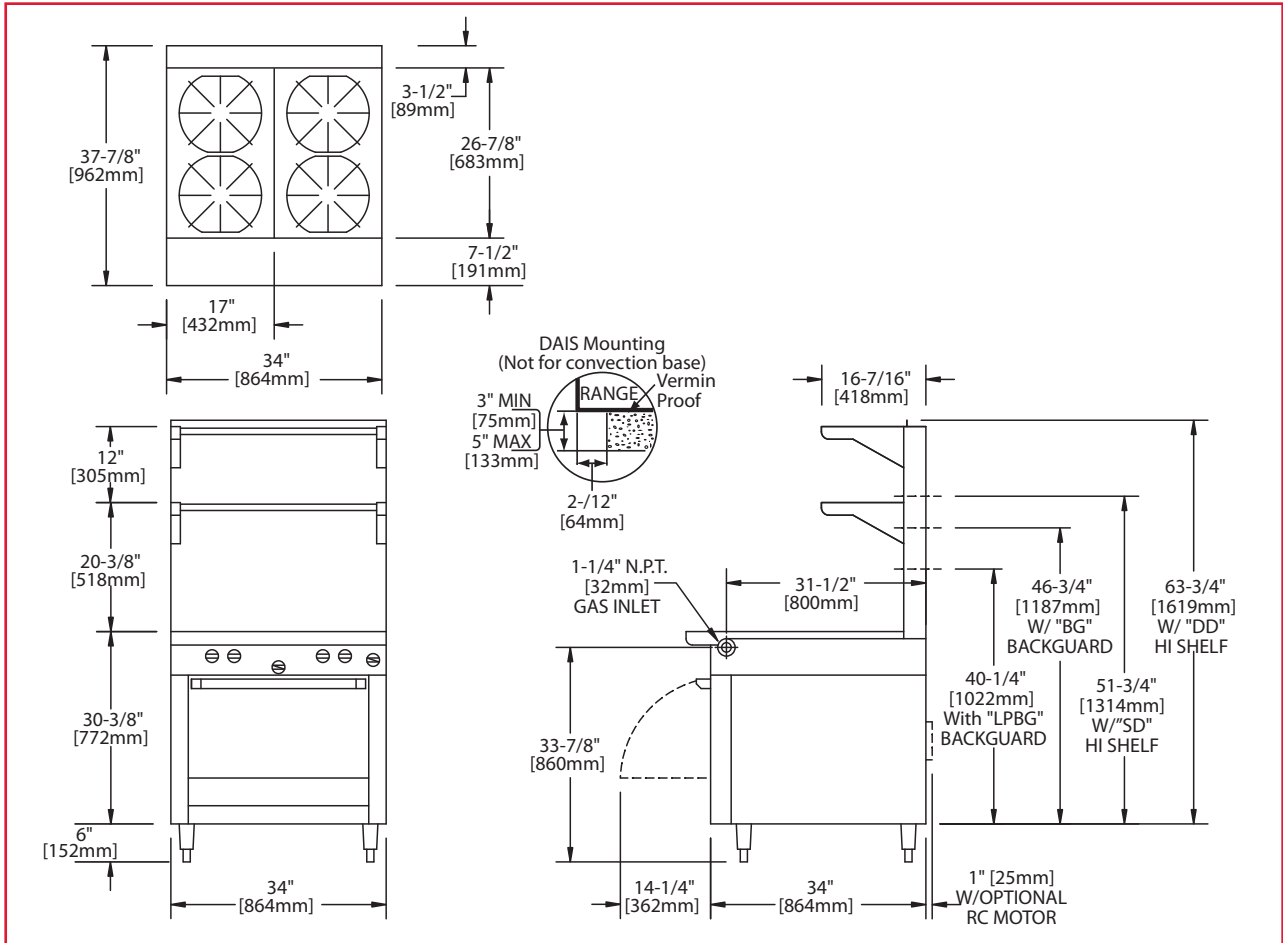
Heavy-duty gas range with oven, Model M44R. Four 35,000 BTU, (10.25 kW), two-piece Starfire burners. Heavy-duty cast-iron top grates and ring grates. 34" (864mm) wide x 38" (965mm) deep, including 7-1/2" (191mm) deep stainless steel front rail. Porcelain enamel oven interior with 40,000 BTU (11.72 kW) cast-iron oven burner. Stainless steel front and sides. 180,000 BTU total. (52.74 kW). Natural or propane gas. Also available with storage base w/doors, suffix S, and modular top, suffix T.

NOTE: Ranges supplied with casters must be installed with an approved restraining device.

NOTE: All Master Series ranges, attachments, fryers, and broilers require a high shelf or backguard flue attachment - sold separately.



## Master Series Heavy-Duty Open Burner Top Range



| Product | Width:<br>In(mm) | Depth:<br>In(mm) | Height: In(mm)<br>(w/ NSF Legs) | Height: In(mm)<br>(w/o NSF Legs) | Oven/Storage Base Interior: in(mm) |             |             |
|---------|------------------|------------------|---------------------------------|----------------------------------|------------------------------------|-------------|-------------|
|         |                  |                  |                                 |                                  | Width                              | Depth       | Height      |
| M44R    | 34(864)          | 38(965)          | 36-3/8(924)                     | 30-3/8(772)                      | 26-1/4(667)                        | 29(737)**   | 13-1/2(343) |
| M44S    | 34(864)          | 38(965)          | 36-3/8(924)                     | 30-3/8(772)                      | 26(665)                            | 30-1/2(773) | 20-1/2(519) |
| M44T    | 34(864)          | 38(965)          | 36-3/8(924) w/stand             | 9-1/2 (241) w/o stand*           | N/A                                | N/A         | N/A         |

\*Modular top has 1-1/2" seating flanges. \*\*RC oven is 25" (635mm) deep.

| INPUT-BTU/hr | M44R & M44RC      |                   | M44S & M44T       |                   |
|--------------|-------------------|-------------------|-------------------|-------------------|
|              | Natural           | Propane           | Natural           | Propane           |
| Top Section  | 140,000 (41.02kW) | 128,000 (37.48kW) | 140,000 (41.02kW) | 128,000 (37.48kW) |
| Oven         | 40,000 (11.72kW)  | 35,000(10.25kW)   | N/A               | N/A               |
| TOTAL        | 180,000(52.74kW)  | 163,000 (47.73kW) | 140,000(41.02kW)  | 128,000 (37.48kW) |

RC=Range w/Convection Oven R=Range w/Oven S=Range w/Storage Base T=Modular Top

| INSTALLATION NOTES                       |                           |                          | Shipping Wt: (Lb/Kg)² |
|--|---------------------------|--------------------------|-----------------------|
| Combustible Wall Clearances <sup>1</sup> | Entry Clearances          | Operating Pressure       | M44R 440/200          |
| Sides: 14" (356mm)                       | Crated: 39-1/4" (997mm)   | Natural: 6" WC (15mbar)  | M44S 340/1551         |
| Back: 6" (152mm)                         | Uncrated: 34-1/4" (870mm) | Propane: 10" WC (25mbar) | M44T 250/114          |

<sup>1</sup>NOTE: Installation clearance reductions are applicable only where local codes permit.

<sup>2</sup>Shipping Cubic Feet 50 for R & S Models, 20 for T models

Data applies only to North America

Gas input ratings shown here are for installations up to 2,000 ft. (610m) above sea level. Specify altitudes over 2,000 ft.

Electrical characteristics each RC oven: 1/3 HP motor, 120 VAC, single phase, 3.4 amps, 6 ft. (1.8m) power cord with NEMA 5-15P plug provided. 230 VAC export is direct connect, single phase, 50 Hz. Please specify gas type when ordering.

Garland reserves the right to make changes to the design or specifications without prior notice.