



TRASH PUMP BREAKDOWN

TP-3070R

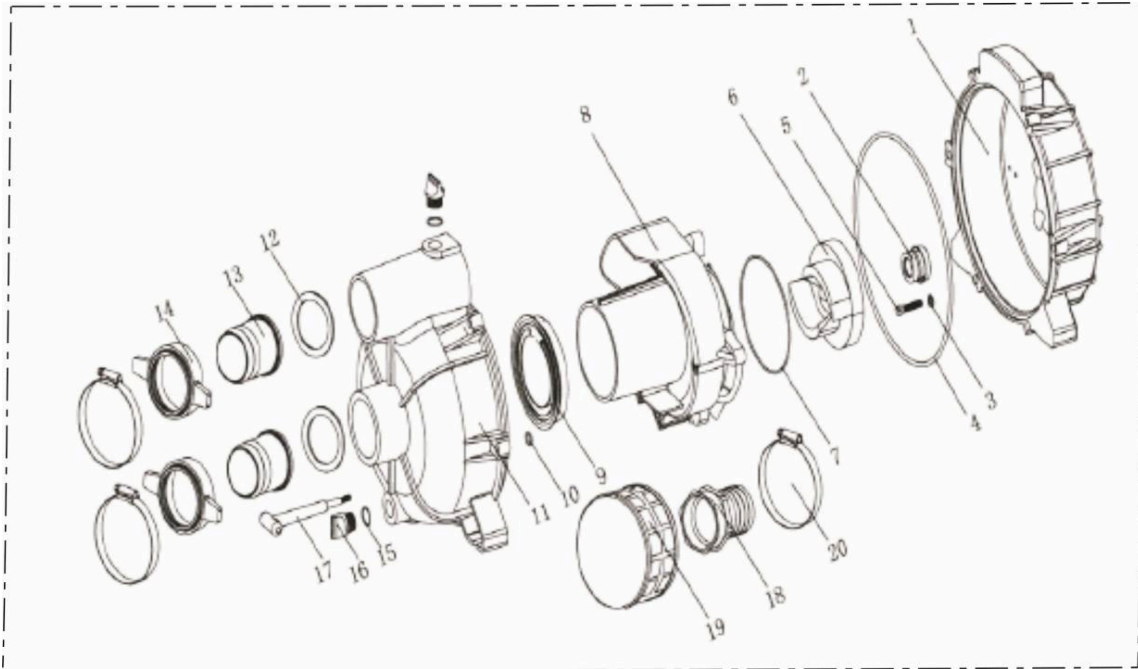


REF #	DESCRIPTION	QTY	PARTS
N/A	Powercase 210cc Engine	1	See 85.570.070 Breakdown



TRASH PUMP BREAKDOWN

TP-3070R

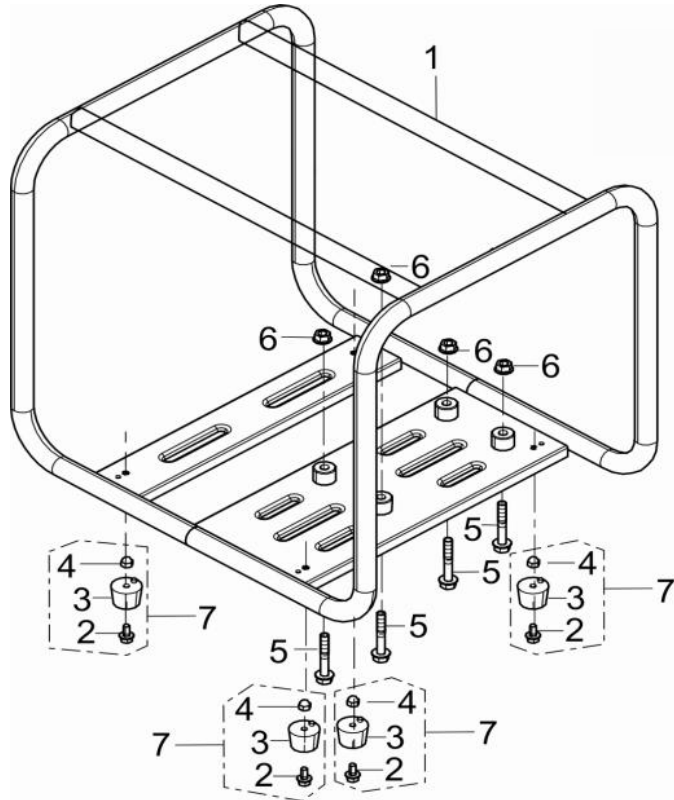


REF	DESCRIPTION	QTY	PART NUMBER
2	Mechanism Seal Assy	1	50.103.201
	Porcelain Seal	1	
	Impeller Seal Ring	1	
4	Water Pump Joint Cushion	1	
7	Whorl Case Sealing Ring	1	
9	Inlet Water Gasket	1	
10	Gasket	6	
6	Water Pump Impeller	1	50.103.201
15	Screw Plug Washer	2	50.103.203
16	Thread Plug	2	
18	Hose Interface	1	50.103.205
19	Strainer	1	



TRASH PUMP BREAKDOWN

TP-3070R



REF	DESCRIPTION	QTY	PART NUMBER
2	Bolt	4	50.002.205
3	Engine Frame Shock Absorption Seat	4	
4	Acorn Nut	4	