

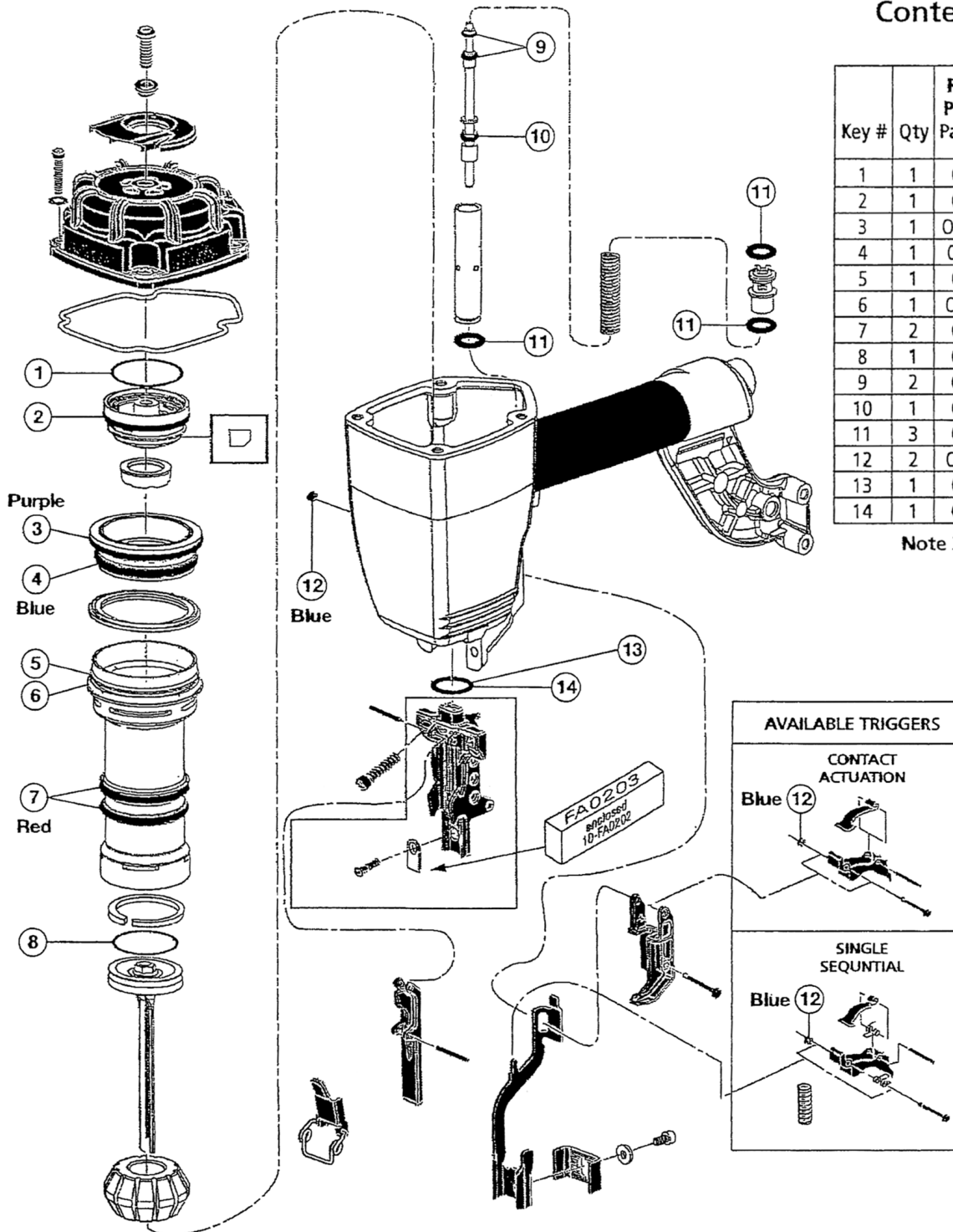
RELIABILITY™

Provin

Contents of O-Ring Kit KT-SE-045

Key #	Qty	Reliability Provin, Inc. Part Number	Color Code	Equivalent Senco® Part Number
1	1	OR-PP-564		LB0126
2	1	OR-PP-570		LB0863
3	1	OR-PP-7807L	Purple	LB0865
4	1	OR-PP-576L	Blue	LB8064
5	1	OR-PP-410		LB0089
6	1	OR-PP-418U		LB3505
7	2	OR-PP-576	Red	LB0132
8	1	OR-PP-182		LB0034
9	2	OR-PP-138		LB0012
10	1	OR-PP-144		LB0015
11	3	OR-PP-346		LB0057
12	2	OR-PP-132B	Blue	KC0062
13	1	OR-PP-152		LB0019
14	1	OR-PP-344		LB0056

Note 2: OR-PP-152 is used on older tools.



*Generously grease all O-rings at time of assembly

Note: Read and understand the safety information printed on the reverse side before repairing any tools.
Nota: Lea y comprende la información de seguridad impresa al reverso antes de reparar cualquier herramienta.

11/1/2011

Exploded View and O-ring List for
SENCO SNS45XP

VL-SE-045

CAUTION**CAUTION****CAUTION**

ALWAYS WEAR SAFETY GLASSES WITH SIDE SHIELDS WHEN USING PNEUMATICALLY OPERATED FASTENER DRIVING TOOLS

NEVER POINT THE TOOL AT YOURSELF OR ANYONE ELSE

NEVER BYPASS OR REMOVE ANY SAFETY DEVICE

ALWAYS FOLLOW THE ORIGINAL MANUFACTURE'S SAFETY AND SERVICE INSTRUCTION

NEVER ATTEMPT TO SERVICE OR REPAIR A PNEUMATICALLY OPERATED TOOL WITH THE COMPRESSES AIR LINE CONNECTED TO THE TOOL

NEVER LEAVE A PNEUMATICALLY OPERATED TOOL UNATTENDED WITH THE COMPRESSES AIR LINE CONNECTED

ALWAYS FOLLOW THE ORIGINAL TOOLS MANUFACTURE'S DISASSEMBLY, ASSEMBLY, AND TOOL INSPECTION PROCEDURES

PRECAUTION**PRECAUTION****PRECAUTION**

SIEMPRE USE LENTES DE SEGURIDAD CON PROTECTORES LATERALES AL USAR HERRAMIENTAS DE IMPULSO CON SUJETADOR DE OPERACIÓN NEUMÁTICA

NUNCA APUNTE A SI MISMO O A OTRA PERSONA CON LA HERRAMIENTA

NUNCA EVITE O RETIRE ALGÚN DISPOSITIVO DE SEGURIDAD

SIEMPRE SIGA LAS INSTRUCCIONES DE SEGURIDAD Y SERVICIO DEL FABRICANTE ORIGINAL DE LA HERRAMIENTA

NUNCA INTENTE HACER MANTENIMIENTO O REPARAR UNA HERRAMIENTA DE OPERACIÓN NEUMÁTICA CON LA LINEA DE AIRE COMPRIMIDO CONECTADA A LA HERRAMIENTA

NUNCA DEJE SIN ATENCIÓN UNA HERRAMIENTA DE OPERACIÓN NEUMÁTICA CON LA LINEA DE AIRE COMPRIMIDO CONECTADA

SIEMPRE SIGA LOS PROCEDIMIENTOS DE DESMONTAJE, MONTAJE, E INSPECCIÓN DEL FABRICANTE ORIGINAL DE LA HERRAMIENTA

O-Ring Kit

KT-SE-045

For use on the following tool models.
Kit contains all O-Rings in these tools.

SESCO

SNS45

SNS45XP



7 1 2 2 1 8 2 6 8 9 8 0