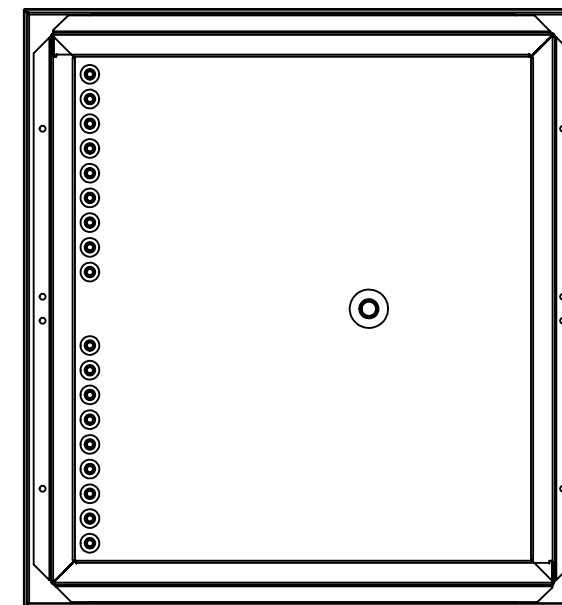
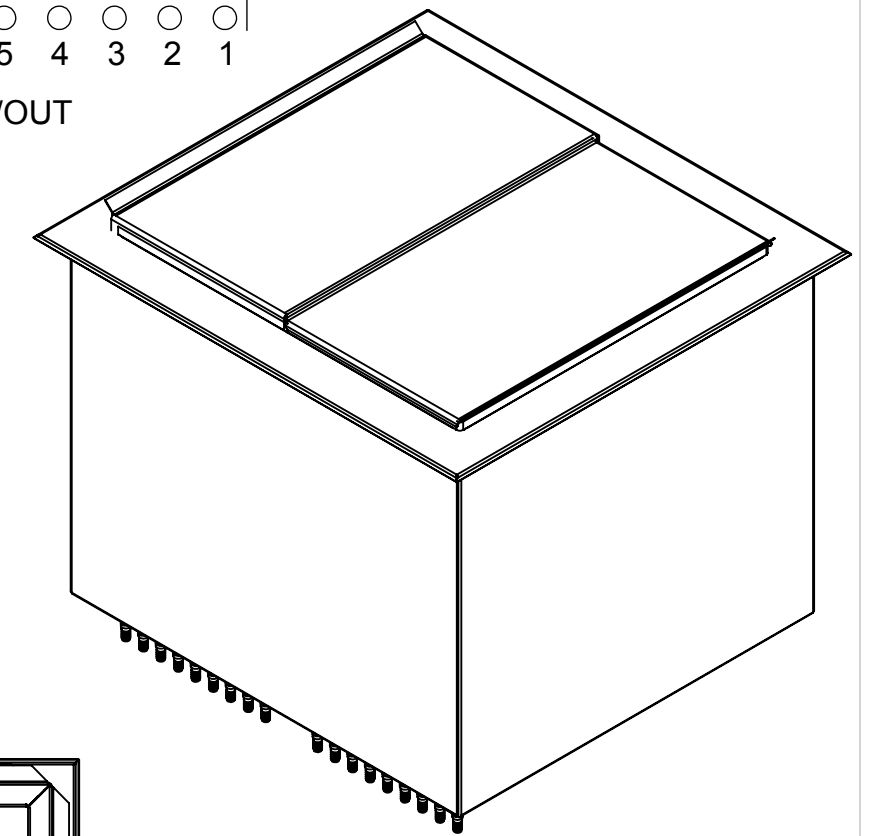
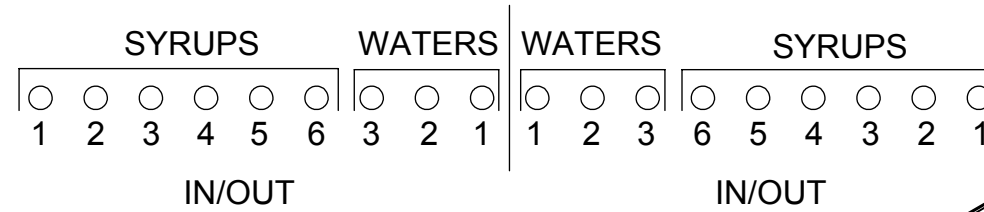



PLUMBING DIAGRAM



BOTTOM VIEW

NOTES

1. ICE CAPACITY 100 lbs
2. ALL LINES ARE 5/16" ID, 304 S/S TUBE WITH 3/8 BARBS
3. DRAIN CONN: 3/4" BARB
4. SHIPPED WITH 6FT HOSE (NOT SHOWN) AND LID ASSY

MATERIAL	DRAWN	NAME	DATE	 <small>248 NORTHWESTERN DR SAN ANTONIO TX 78228</small>
FINISH	ENG APPR.	JPK	10/11/10	
DIMENSIONS ARE IN INCHES				PROPRIETARY AND CONFIDENTIAL THE INFORMATION CONTAINED IN THIS DRAWING IS THE SOLE PROPERTY OF TAPRITE-FASCO MFG., INC. ANY REPRODUCTION IN PART OR AS A WHOLE WITHOUT THE WRITTEN PERMISSION OF TAPRITE-FASCO MFG., INC. IS PROHIBITED.
TOLERANCES:				
FRACTIONAL ± 1/64				
ANGULAR: MACH ± 1/2°				
BEND ±				TITLE: DROP IN 2123 CHEST, 100#, WITH 9 CIR PSMX CP
TWO PLACE DECIMAL ± 0.015				
THREE PLACE DECIMAL ± 0.005				SIZE DWG. NO. B DI-2123-9-100_SALES SCALE: 1:8 DO NOT SCALE DRAWING
				REV B SHEET 1 OF 1