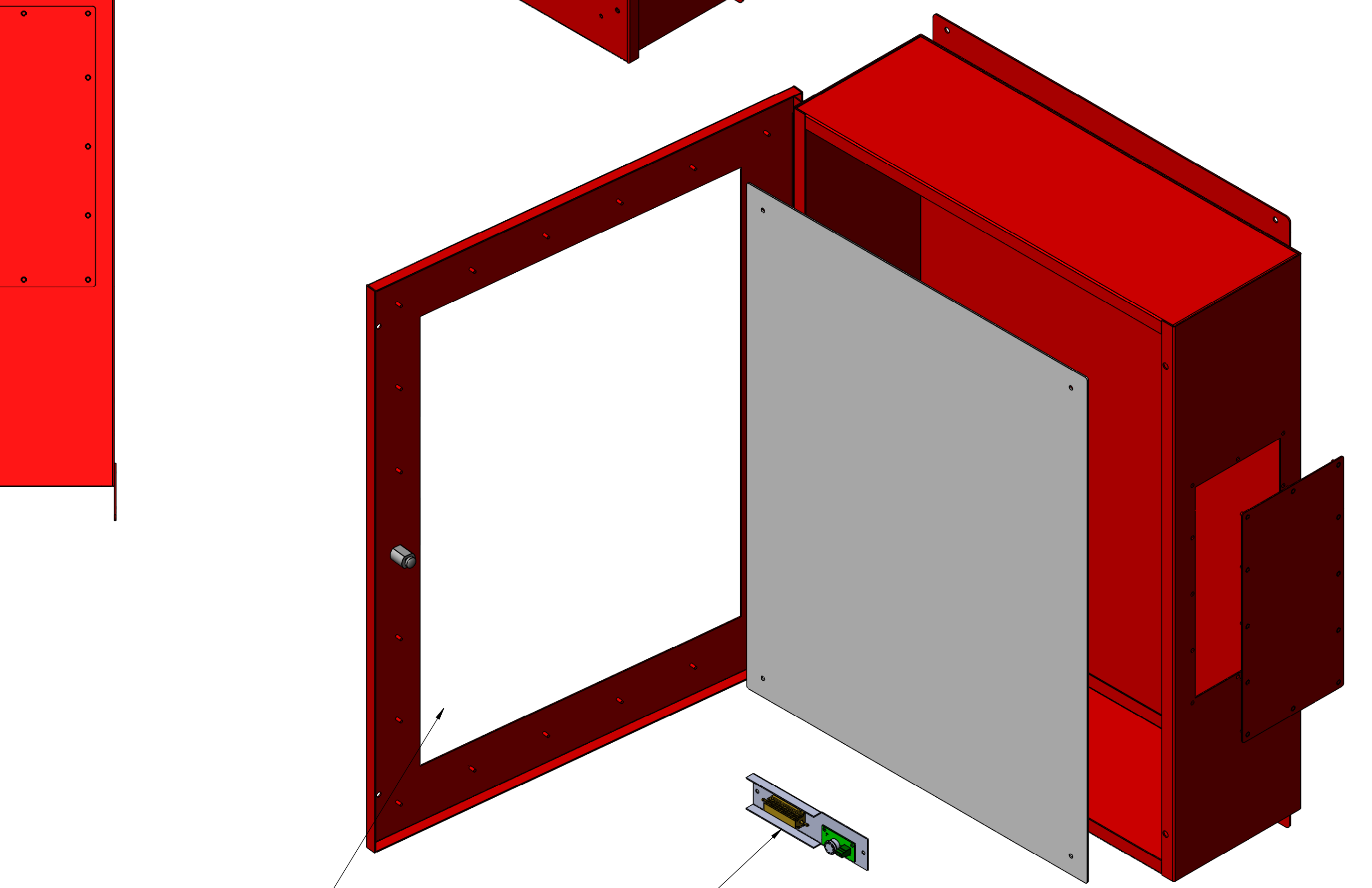
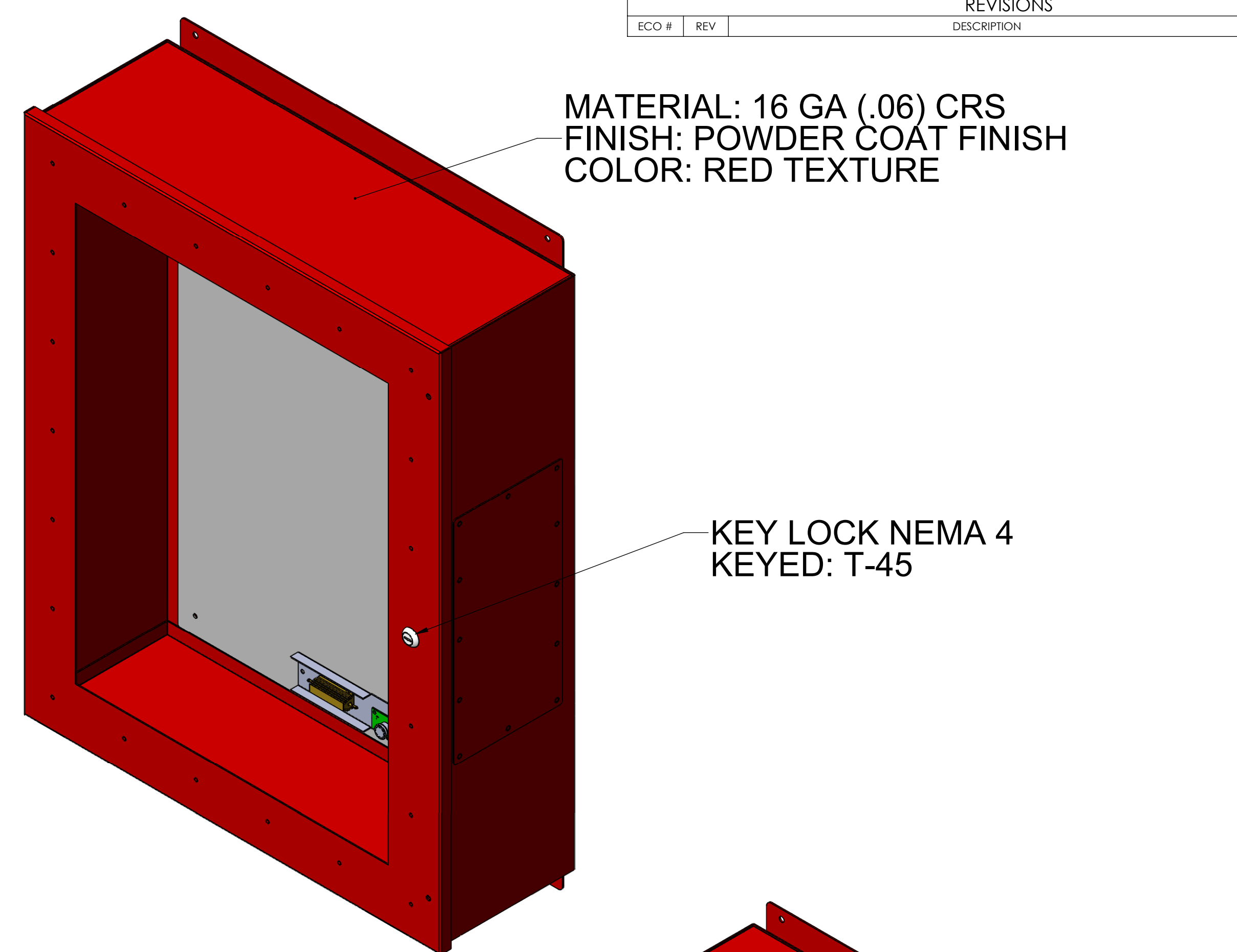
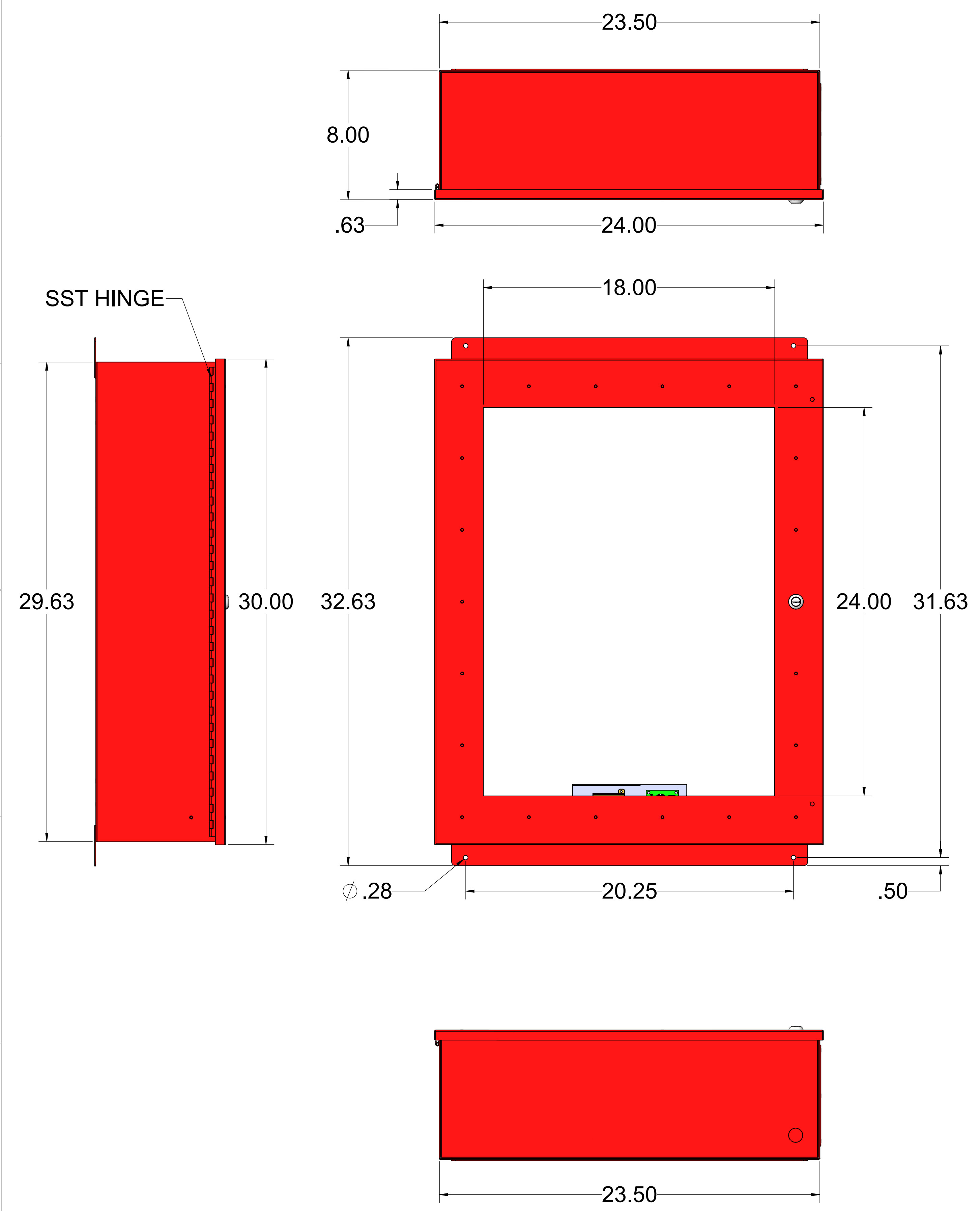


REVISIONS				
ECO #	REV	DESCRIPTION	DATE	APPROVED



PROPRIETARY AND CONFIDENTIAL
 THE INFORMATION CONTAINED IN THIS DRAWING IS THE SOLE PROPERTY OF SPACE AGE ELECTRONICS INC. ANY REPRODUCTION IN PART OR AS A WHOLE WITHOUT THE WRITTEN PERMISSION OF SPACE AGE ELECTRONICS INC. IS PROHIBITED.

PROJECT:	EP04126	UNLESS OTHERWISE SPECIFIED:	DRAWN:	NAME:	DATE:
SCALE:	1:4	DIMENSIONS ARE IN INCHES	CHECKED:	MWP	2/16/2017
SAE/OWNER:	ENG	TOLERANCES:	ENG APPR:		
PART NO.:	YM9611	FRACTIONAL: 1/32"	MFG APPR:		
PROGRAM NO.:	YM0007	ANGULAR: MAX±2.5 BEND±0.5	Q.A.		
NEXT ASSY:		TWO PLACE DECIMAL ±.031	COMMENTS:		
APPLICATION:		THREE PLACE DECIMAL ±.015			
		INTERPRET GEOMETRIC TOLERANCING PER:			
		MATERIAL:			
		CRS			
		FINISH:			
		CORVEL GRAY			

TITLE: FTCB ENCLOSURE HEATED 30"X24"X8" (RED TEXTURE)	
SIZE: D	DWG. NO.: CP40652
SCALE: 1:4	WEIGHT:
REV: 1	SHEET 1 OF 1

REV CP40652