

# UNIVERSAL PICNIC PUMP CONVERSION KIT INSTRUCTIONS

For converting any standard commercial keg coupler for use with a picnic pump

## Your kit should include the following items:

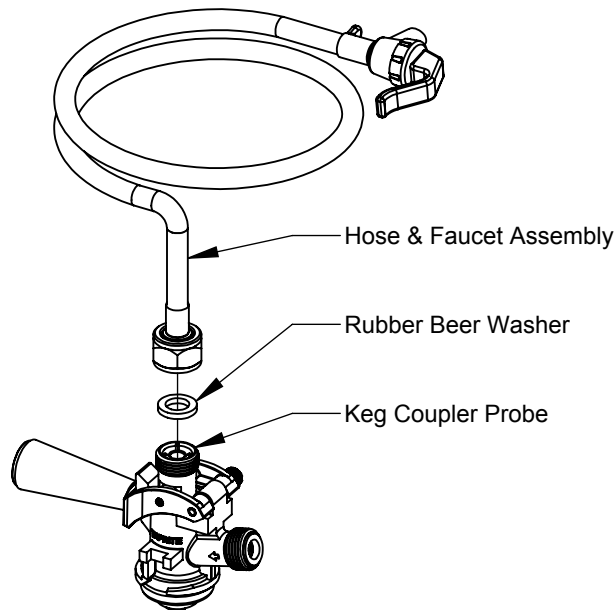
1 ea: Hose and Faucet Assembly  
1 ea: Rubber Beer Washer

1 ea: Rubber Gas Check Valve  
1 ea: Picnic Pump and Adaptor Assembly

NOTE: Keg Coupler Sold Separately

### STEP 1:

Remove any caps or thread protectors from the coupler probe. Screw the hose and faucet assembly onto the probe as shown. Make sure that the rubber beer washer is in place to prevent any leaks.



### STEP 2:

Remove any fittings from the gas port. If there is already a rubber gas check valve included with the coupler, keep and use it instead of the valve included with the kit. Screw the picnic pump and adaptor assembly onto the gas port as shown. Make sure the rubber gas check valve is in place. This will prevent the air going into the keg from leaking back out. You are now ready to tap the keg and enjoy your beer!

