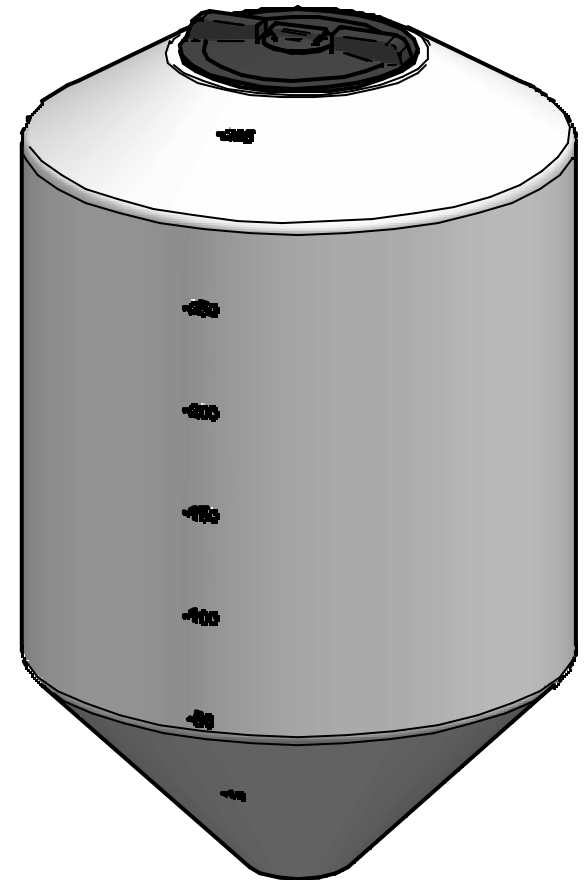
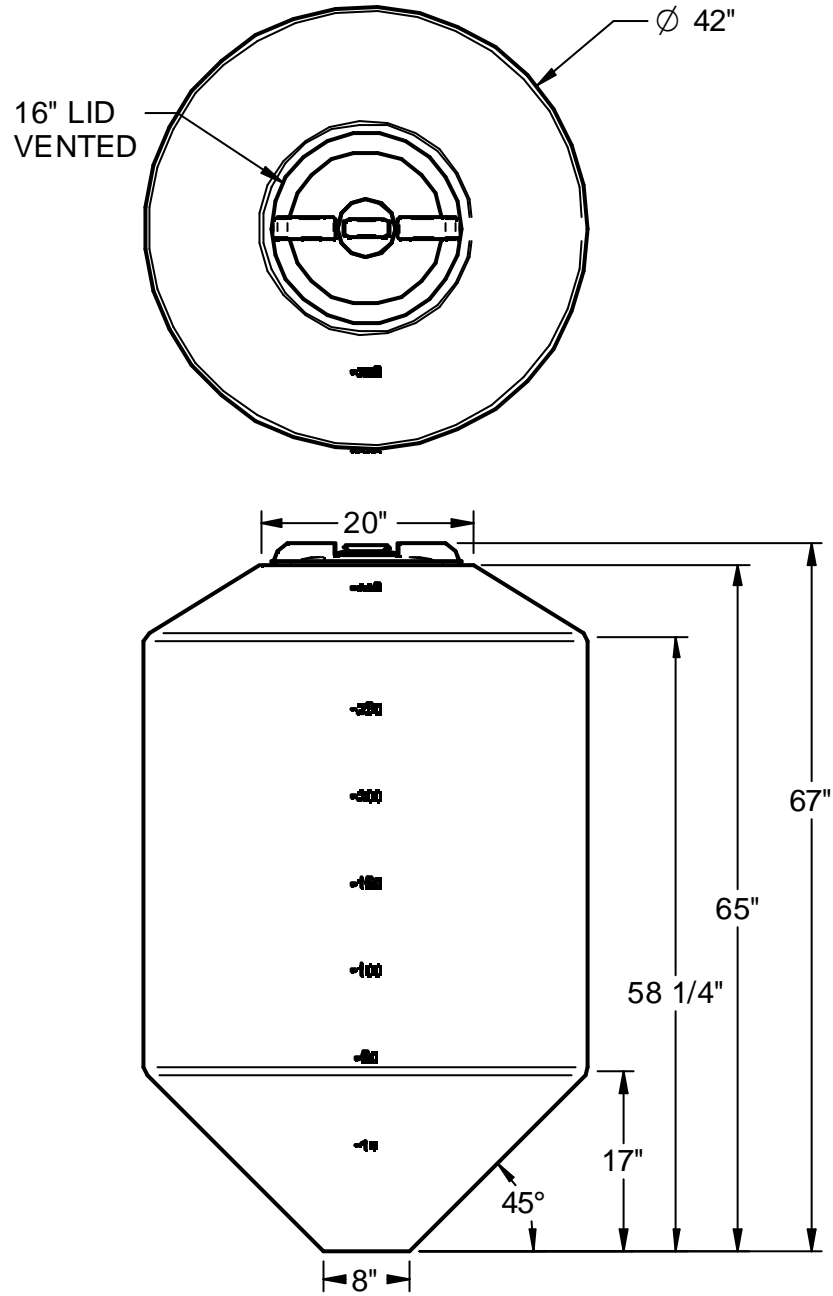


NOTES:



		
CHEMICAL CONTAINERS, INC. LAKE WALES, FLORIDA, 33859 TEL: 863-638-1407 FAX: 863-638-1863		
TITLE <b>300 GAL CONE BOTTOM TANK</b>		
SIZE B	DWG NO <b>T2044A</b>	REV 00
COMPONENT DRAWING		
SCALE: N.A.	LAYOUT SHEET	<b>SHEET 1 / 1</b>