

SUPERIOR COOLING

QUALITY DISPENSE



Majestic 3

- Accommodates three, five and six gallon bags
- Accommodates up to six gallon bag-n-box
- Easy to use dripless operation for optimum sanitation
- Constant cooling at the pinch point
- Hands-free operation



Majestic 1



Majestic 2

MAJESTIC SERIES MILK DISPENSERS

MODELS
SKMAJ1
SKMAJ2
SKMAJ3

- Stainless steel exterior and interior
- Temperature indicator on door front. Adjustable temperature control.
- Door: Heavy duty hinges. Easily removable door gasket for ease in cleaning.
- Dispenser valve: Spring loaded lift type valve for dripless operation and optimum sanitation.
- Electrical: Standard 115 volt, 60 Hz, single phase. Also available in 230 volt, 50Hz, single phase.
- Listings: UL (US and Canada), NSF International
- Warranty: One year parts and labor. Five year warranty on compressor.



Specifications subject to change without notice.

MODEL	DESCRIPTION	EXTERIOR DIMENSIONS			COMPRESSOR	AMPS	WEIGHT
		LENGTH	DEPTH	HEIGHT			
C4 SERIES: Includes 6 gallon crate(s) and platform(s)							
SKMAJ1/C4	Single valve, accommodates 3, 5 and 6 gallon	15 ¹ / ₂ "	17 ¹ / ₈ "	39 ¹ / ₂ "	1/10 hp	1.2	80 lbs
SKMAJ2/C4	Double valve, accommodates 3, 5 and 6 gallon	26 ¹ / ₂ "	17 ¹ / ₈ "	39 ¹ / ₂ "	1/10 hp	1.3	110 lbs
SKMAJ3/C4	Triple valve, accommodates 3, 5 and 6 gallon	37 ¹ / ₂ "	17 ¹ / ₈ "	39 ¹ / ₂ "	1/6 hp	1.6	140 lbs
C3 SERIES: With shipboard legs; includes 6 gallon crate(s) and platform(s)							
SKMAJ1/C3	Single valve, accommodates 3, 5 or 6 gallon	15 ¹ / ₂ "	17 ¹ / ₈ "	39 ¹ / ₂ "	1/10 hp	1.2	80 lbs
SKMAJ2/C3	Double valve, accommodates 3, 5 or 6 gallon	26 ¹ / ₂ "	17 ¹ / ₈ "	39 ¹ / ₂ "	1/10 hp	1.3	110 lbs
SKMAJ3/C3	Triple valve, accommodates 3, 5 or 6 gallon	37 ¹ / ₂ "	17 ¹ / ₈ "	39 ¹ / ₂ "	1/6 hp	1.6	140 lbs

ACCESSORIES



Milk crate for 3, 5 or 6 gallon bags
Item # 35904



Platform for bag-n-box
Item # 63959



3 gallon dispenser can
Item # 62642



5 gallon dispenser can
Item # 60224

Not Pictured:
Tubes 1 1/4"
Item # 20323

SUPERIOR COOLING QUALITY DISPENSE



Application: Milk in bag (3, 5 or 6 gallon)



Application: Bag-n-box milk



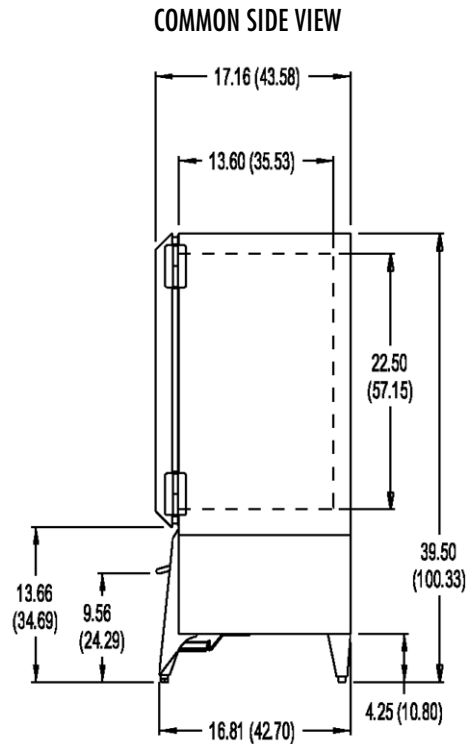
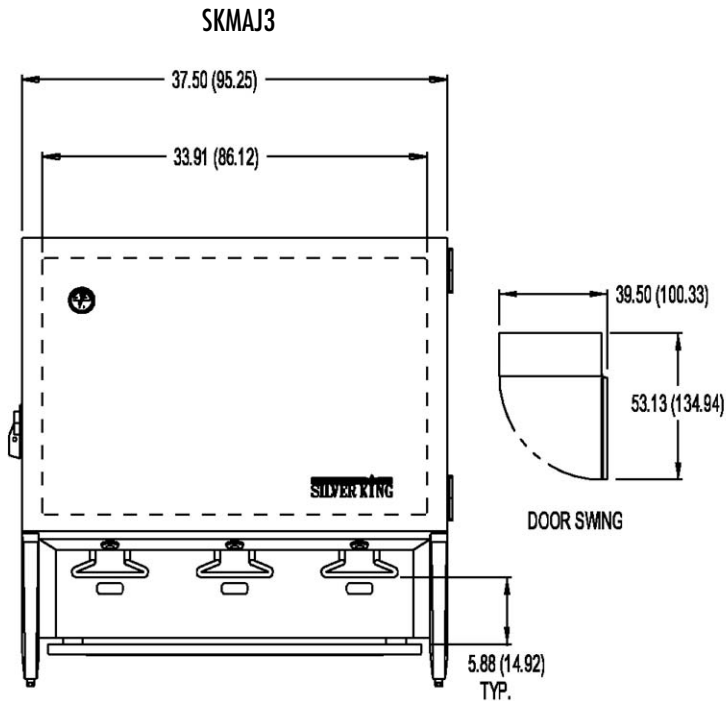
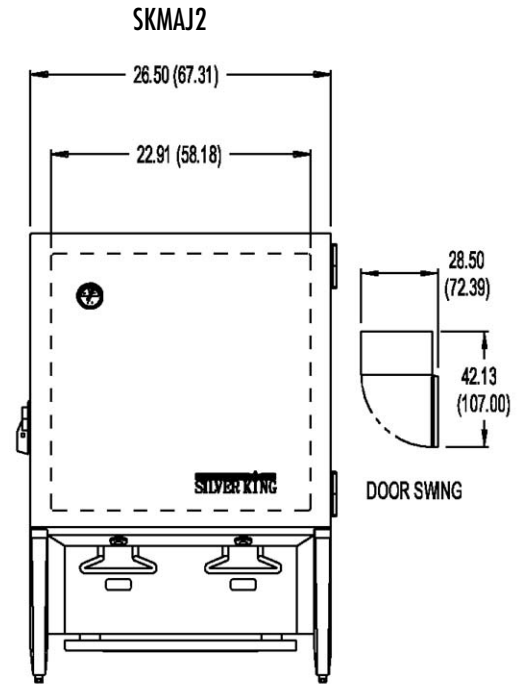
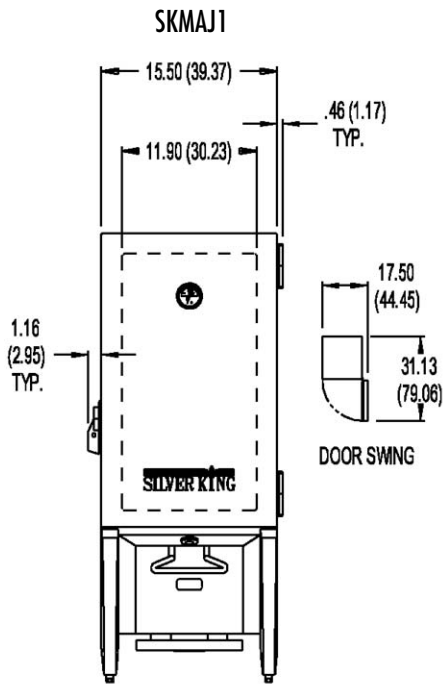
Application: Bag-n-box milk



Application: 5 gallon dispenser can (sold as accessory)

MAJESTIC SERIES MILK DISPENSERS

Dimensions in inches and centimeters
All drawings shown with standard legs



1600 Xenium Lane North
Minneapolis, MN 55441-3787
Phone (763) 923-2441
Fax (763) 553-1209
www.silverking.com

#FNSKMAJ09
© Silver King 2009
Printed in U.S.A.