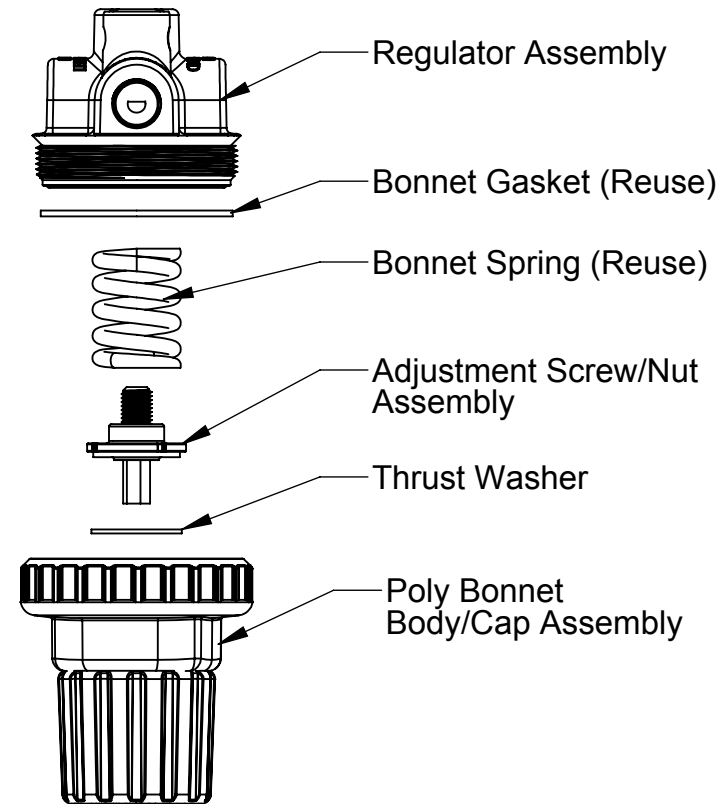
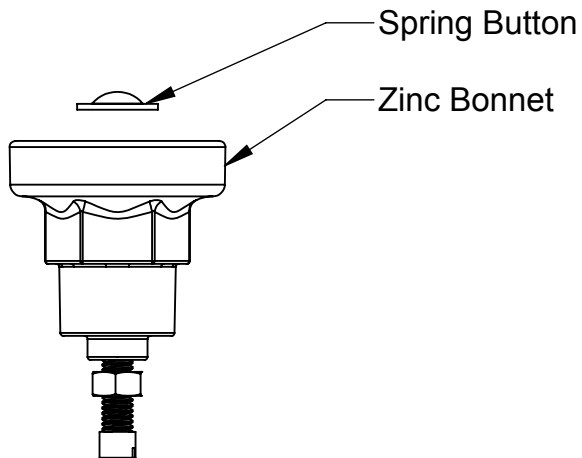


ZINC BONNET REPLACEMENT INSTRUCTIONS (DISASSEMBLY)

A 1-5/8" or adjustable wrench is required to remove the Poly bonnet.

PARTS SHIPPED IN THIS KIT (43-0177-00):
ASSEMBLE AS SHOWN



STEP 1. Unscrew (counter clockwise) Poly bonnet off Regulator body.

STEP 2. Remove Poly bonnet and adjust screw from assembly. Bonnet spring and bonnet gasket will be reused

 **TAPRITE**

3248 NORTHWESTERN DR - SAN ANTONIO, TX 78238 - TEL: 210-523-0800

INSTRUCTION SHEET NO. 42-0004-00
REV. A DATED: 09/2017