

PRODUCT SPECIFICATION

Cook's Vented Tray Drying Racks

features

The Vented Tray Drying Rack is designed to promote faster, more effective drying of trays than traditional tray drying racks. There are two parts to these racks, a stainless steel frame and vented polycarbonate shelf inserts that fit on the frame. With vented inserts, air can circulate more fully around the trays, allowing any water that accumulates to evaporate more quickly. Additionally, these inserts can be easily washed in the dishmachine or pot sink to help with sanitation. With spacing at 3", these racks hold a variety of trays and are great for drying and storing product. Available in two sizes, 54"W or 78"W.



Cook's Brand

Products designed for the toughest environments

STANDARD FEATURES

RUGGED CONSTRUCTION: The frame is 1-1/2" all welded stainless steel square tube and rack inserts are highly durable, break-resistant polycarbonate. Additionally, these racks are mounted on 6" plate casters that are welded to the frame, for easy transportation.

TWO SIZES, TWO INSERTS: Available in a 78" width or 54" width, these four shelf racks are 75-1/4" high and 29-3/4" deep. The tray insert has room for 4 rows of trays and the sheet pan insert has room for 6 sheet pans.

OPTIONAL DRIP TRAY: The addition of a drip tray beneath the lowest shelf ensures water doesn't run off or build up beneath the rack for a drier work area around the rack.

WARRANTY: Backed up by a one year warranty against manufacturing defects.



PRODUCT SPECIFICATION

Cook's Vented Tray Drying Racks

features

Model #'s:

Insulated Tray Rack

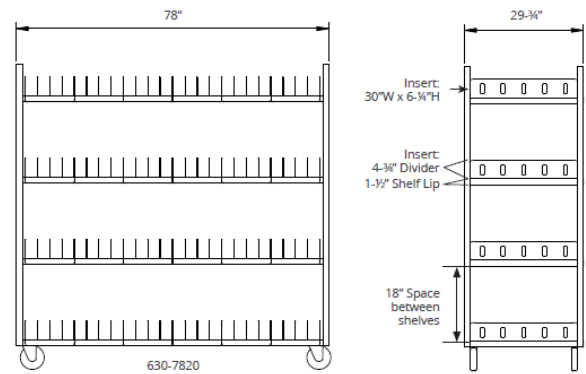
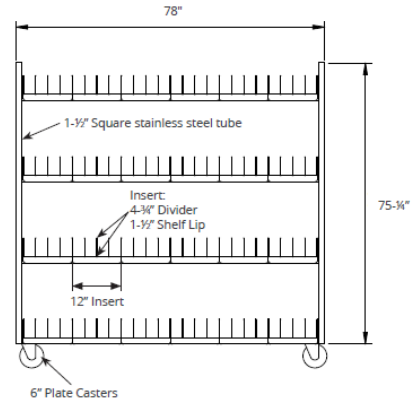
- 630-5420 54"W Rack for Insulated Trays
- 630-5420DT 54"W Rack for Insulated Trays w/ Drip Tray
- 630-7820 78"W Rack for Insulated Tray
- 630-7820DT 78"W Rack for Insulated Trays with Drip Tray
- 630-TDRI Insulated Tray Insert, insert only, case of 4

Sheet Pan Rack

- 630-5420S 54"W Rack for Sheet Pans
- 630-5420SDT 54"W Rack for Sheet Pans with Drip Tray
- 630-7820S 78"W Rack for Sheet Pans
- 630-7820SDT 78"W Rack for Sheet Pans with Drip Tray
- 630-TDRS Sheet Pan Insert, insert only, case of 4

Rack Capacity:

Product	Insert	54" Rack	78" Rack
Marathon Tray	3" (Trays)	192	288
Insulated Tray	3" (Trays)	128	192
5/6 Compartment Trays	3" (Trays)	192	288
2-1/2"D Steam Table Pans	3" (Trays)	64	96
Full Size Sheet Pans	3" (Trays)	64	96
Full Size Sheet Pans	2" (Sheet Pan)	96	144
5/6 Compartment Trays	2" (Sheet Pan)	288	432



Rack Dimensions	Insert Dimensions	Shipping
78"W x 29-3/4"D x 75-1/4"H 54"W x 29-3/4"D x 75-1/4"H	12-3/8"W x 30"D x 6-1/4"H Divider is 4-3/4"H Shelf Lip is 1-1/2"H	Class 250