



APPROVED

You can't put these on the outside without proven product inside!

QUIET

Nearly inaudible operation – no lost sleep at night!

SUPERIOR SUPPORT

MagneTek distributor and service network throughout North America!

INDUSTRY'S MOST ADVANCED CIRCUITRY

Totally clean, steady DC power!

LIGHTWEIGHT

Only 6 pounds!

Leadership Comes From Within.

7200 Series Converter

On the outside, the 7200 Series may not look revolutionary. But inside, MagneTek's perfected technology meets industry demands like no other converter previously.

Linear switch-mode circuitry, quiet operation, and unsurpassed reliability make the 7200 the most advanced converter available. CSA certification, UL listing, and FCC Class B compliance ensure quality which meets your tough standards. A two-year, top-to-bottom warranty is further evidence of quality and reliability leadership.

All of this performance comes in a unit which weighs only six pounds, and is mountable at any

angle. MagneTek provides on-time delivery, and supports you with a network of parts and service centers throughout the U.S. and Canada.

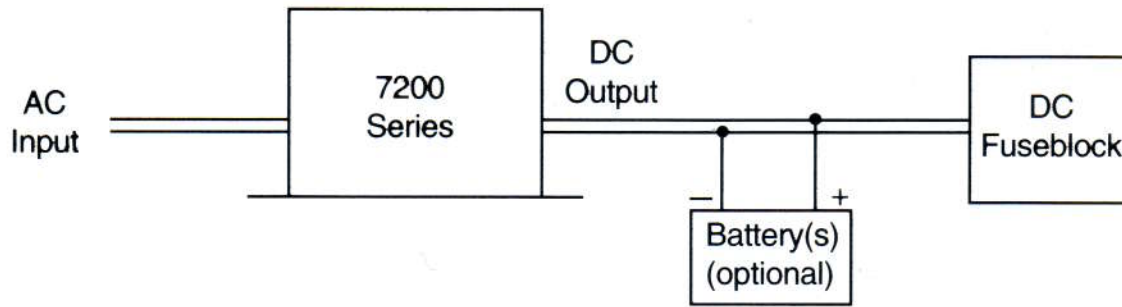
With the 7200 Series, the future of power converting is available to you now. Call MagneTek today.



R.V. and Marine Products
721 N. Webster St. • Kokoi
(317) 452-5444 • FAX: (3

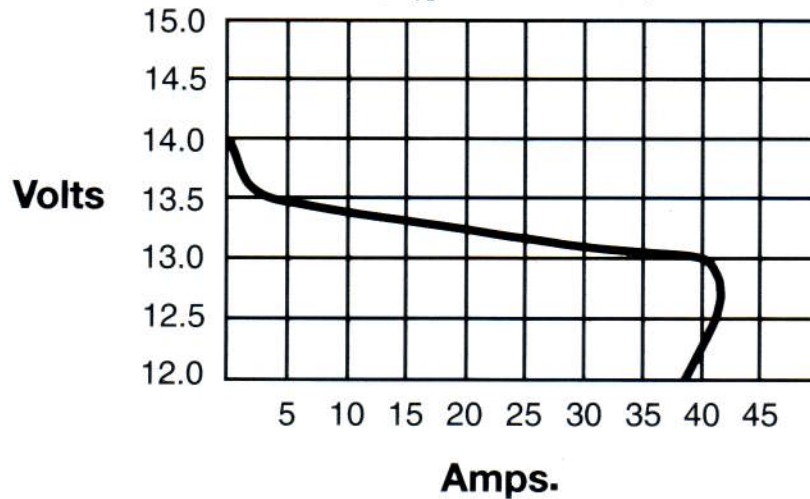


Typical Installation



Units may be mounted in any position, including upside-down. Note the 7200 series is designed for indoor use only. Do not install in engine compartment.

Output Load Curve (Typical 7240 model)



As shown in the load curve above, the 7200 series has some interesting characteristics of which you should be aware. With no load, the output voltage is 14.0 VDC to recharge a 12-volt battery to 100%. With 1.5 amps. of load (typical #1147 lamp), the output drops to 13.6-volts to reduce premature lamp failure.

The output is then flat from there to the rating of the unit where it begins to current limit to avoid damage or overheating.

This design was taken as opposed to a power supply that starts at 14-volts and is a straight line out to the rating of the unit which could cause premature lamp failure.

7200 Series Specifications:

MagneTek Model Number	AC Input		DC Output		Dimensions			Weight	Fan Cooled	Testing Agency	Complies With FCC Class B
	Volts	Watts	Volts	Amps.	Height	Width	Depth				
7240X	105-130 60Hz	660	14.0 max. @ no load 13.2 min. @ full load	40	4.5"	7.125"	15.75"	7.25 lbs.	Yes	UL CSA	Yes
7255X	105-130 60Hz	930	14.0 max. @ no load 13.2 min. @ full load	55	4.5"	7.125"	15.75"	7.25 lbs.	Yes	UL CSA	Yes

MagneTek warrants each 7200 unit to be free from defects in material or workmanship under normal use and service for two years from the date of retail purchase.