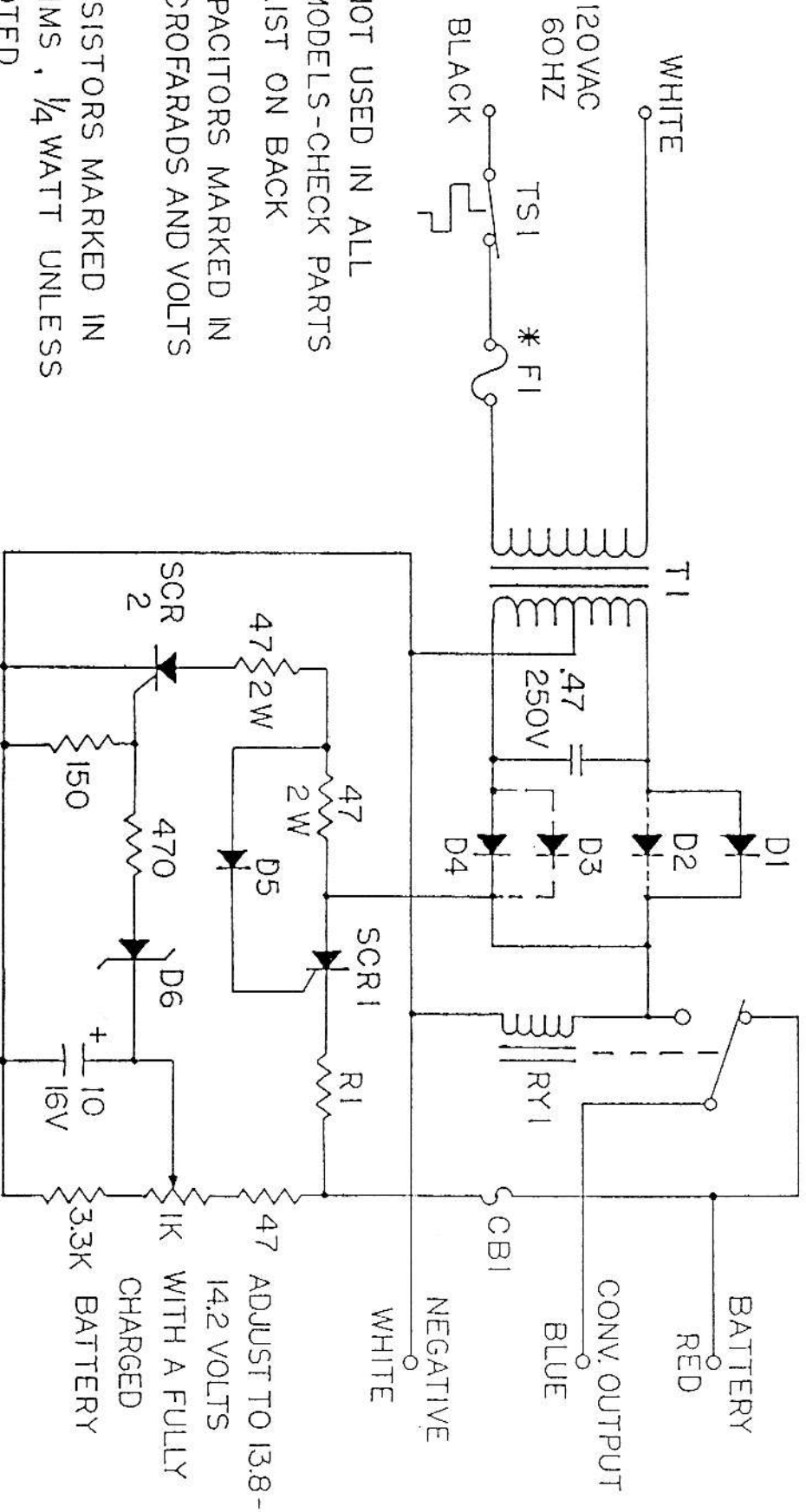


\* NOT USED IN ALL  
 MODELS - CHECK PARTS  
 LIST ON BACK  
 CAPACITORS MARKED IN  
 MICROFARADS AND VOLTS  
 RESISTORS MARKED IN  
 OHMS, 1/4 WATT UNLESS  
 NOTED

DI AND D4 USED ON  
 MODELS 3220C, 3230C  
 MODEL 3240C MAY USE DI  
 THRU D4 RATED 25 AMP OR  
 DI AND D4 ONLY RATED 50 AMP



MAGNETEK,

CONVERTER MODELS 3240C, 3230C,

3220C ALSO COVERS UL MODELS