




# Tapping Instructions



1. Depress plunger and hold pump body as shown, align notches in base of Pony Pump with corresponding lugs located in the top of the keg valve.



2. While holding firmly in a vertical position, press pump body down onto the keg valve.

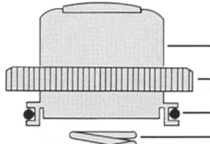




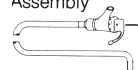

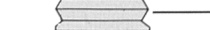


3. Rotate the pump body one-quarter turn clockwise to engage the keg lugs. (This locks the pump in place and opens keg valve).

# Handling Check List

- ✓ Always follow recommended tapping procedures, don't use your Pony Pump as a handle to lift or move the keg.
- ✓ When lifting keg, do use handles provided on keg. Do not roll or drop keg as this will cause unnecessary foaming once tapped.
- ✓ Avoid over pumping, pump only enough to maintain desired flow.
- ✓ Once tapped, open faucet in one motion, quickly (any hesitation may cause foam).
- ✓ Remember, draft beer is a food product and **must be kept cold (36° - 40°)** at all times, or it will spoil.

## Parts List

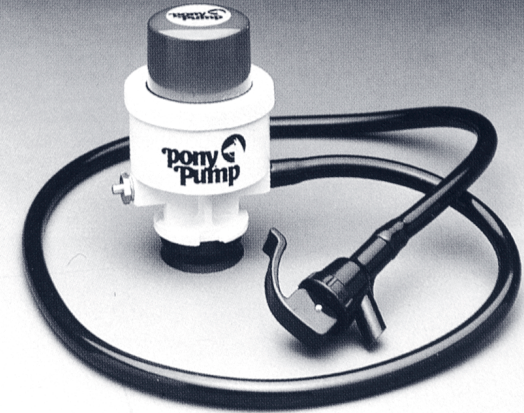
	DESCRIPTION	PART NO.
	Plunger	24235
	Locking Ring	24222
	Plunger O-Ring	70507
	Plunger Spring	24227
	Body Assembly	24221
	Hose & Faucet Assembly	70502-3
	Probe Seal	24236
	Bottom Seal	70192

TAPRITE

SAN ANTONIO, TX 78238



pony Pump T.M.



Guide To  
Proper Tapping  
Cleaning & Caring  
For Your Pony Pump