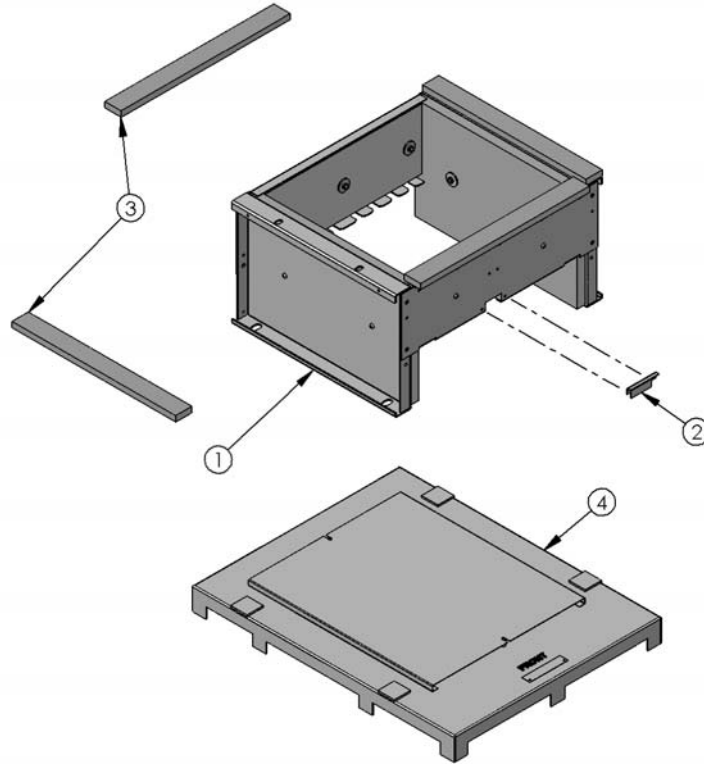




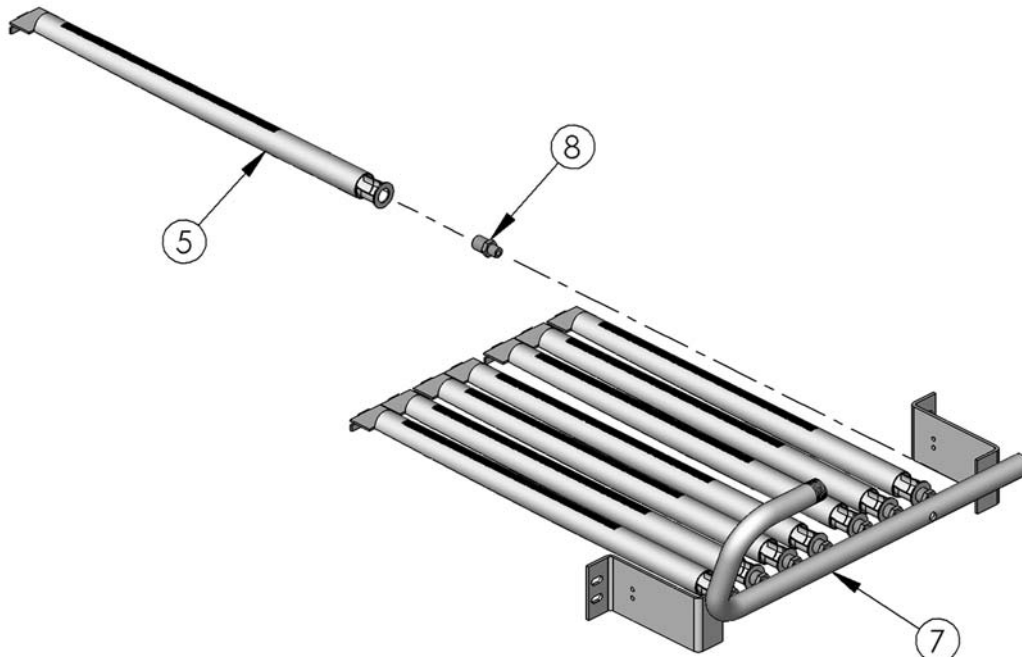
PeerlessBoilers.com

Peerless® Series MI85™ /MHII™ /MI™

All repair parts orders - no minimum charges.
Please order with code number.
All prices quoted are in U.S. dollars.
All prices subject to change without notice.
All prices F.O.B. Bally, PA



Gas Valve and Pilot – Standing Pilot (Continuous Ignition)



Gas Valve and Pilot – Intermittent Ignition



PeerlessBoilers.com

Peerless®

Series MI85™ /MHII™ /MI™

All repair parts orders - no minimum charges.

Please order with code number.

All prices quoted are in U.S. dollars.

All prices subject to change without notice.

All prices F.O.B. Bally, PA

	Description	Quantity Required	Stock Code	Trade Price
1	Base Assembly – MI-03	1	7800	\$190
	Base Assembly – MI-04	1	7801	\$290
	Base Assembly – MI-05	1	7802	\$294
	Base Assembly – MI-06	1	7803	\$306
	Base Assembly – MI-07	1	7804	\$326
	Base Assembly – MI-08	1	7805	\$333
	Base Assembly – MI-09	1	7806	\$340
2	Observation Cover Door	1	51771	\$5
3	Base Blanket Seal, (4' to 7')	7ft.	50867	\$8
4	Combustible Floor Pan Assembly – MI-03	☼	90700	\$318
	Combustible Floor Pan Assembly – MI-04	☼	90701	\$325
	Combustible Floor Pan Assembly – MI-05	☼	90702	\$334
	Combustible Floor Pan Assembly – MI-06	☼	90703	\$345
	Combustible Floor Pan Assembly – MI-07	☼	90704	\$349
	Combustible Floor Pan Assembly – MI-08	☼	90705	\$376
	Combustible Floor Pan Assembly – MI-09	☼	90706	\$395
5	Steel Burner – MI-03	3	51537	\$22
	Steel Burner – MI-04	5	51537	\$22
	Steel Burner – MI-05	7	51537	\$22
	Steel Burner – MI-06	9	51537	\$22
	Steel Burner – MI-07	11	51537	\$22
	Steel Burner – MI-08	13	51537	\$22
	Steel Burner – MI-09	15	51537	\$22
6	Steel Burner w/ Standing Pilot Bracket	1	51263	\$35
	Steel Burner w/ Spark & SV Pilot Bracket	1	51539	\$35
7	Gas Manifold – MI-03	1	50978	\$42
	Gas Manifold – MI-04	1	50979	\$49
	Gas Manifold – MI-05	1	50980	\$53
	Gas Manifold – MI-06	1	50981	\$58
	Gas Manifold – MI-07	1	50954	\$60
	Gas Manifold – MI-08	1	50955	\$77
	Gas Manifold – MI-09	1	50956	\$84
8	Orifice Spud, #50 Natural Gas – MI85-03	3	X4014-50	\$6
	Orifice Spud, #50 Natural Gas –, MI85-04	5		
	Orifice Spud, #50 Natural Gas – MI85-05	7		
	Orifice Spud, #50 Natural Gas –, MI85-06	9		
	Orifice Spud, #49 Natural Gas – MIHII-03	3	50895	\$10
	Orifice Spud, #49 Natural Gas –, MIHII-04	5		
	Orifice Spud, #49 Natural Gas – MIHII-05	7		
	Orifice Spud, #49 Natural Gas –, MIHII-06	9		
	Orifice Spud, #48 Natural Gas – MI-03	3	50894	\$10
	Orifice Spud, #48 Natural Gas – MI-04	5		
	Orifice Spud, #48 Natural Gas – MI-05	7		
	Orifice Spud, #48 Natural Gas – MI-06	9		
	Orifice Spud, #49 Natural Gas – MI-07	11	50895	\$10
	Orifice Spud, #49 Natural Gas – MI-08	13		
	Orifice Spud, #49 Natural Gas – MI-09	15		
	Orifice Spud, #56 Lp Gas – MI-03 Only	3		
	Orifice Spud, #56 Lp Gas – MI-04 Only	5	50899	\$10
	Orifice Spud, #56 Lp Gas – MI-05 Only	7		
	Orifice Spud, #56 Lp Gas – MI-06 Only	9		
	Orifice Spud, #57 Lp Gas – MI-07 Only	11		
Orifice Spud, #57 Lp Gas – MI-08 Only	13	50900	\$6	
Orifice Spud, #57 Lp Gas – MI-09 Only	15			



PeerlessBoilers.com

Peerless® Series MI85™ /MHII™ /MI™

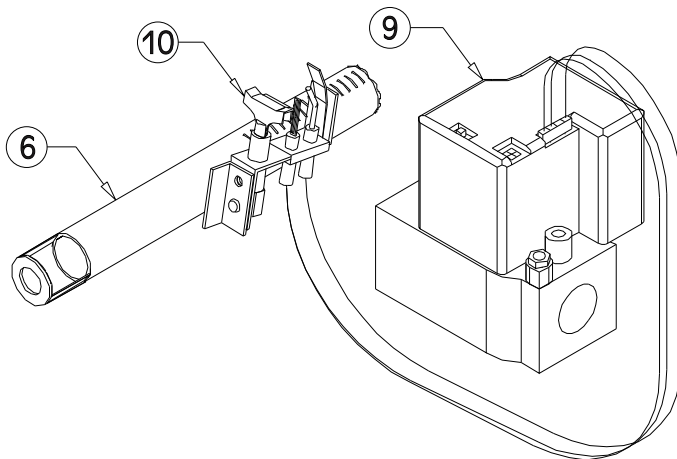
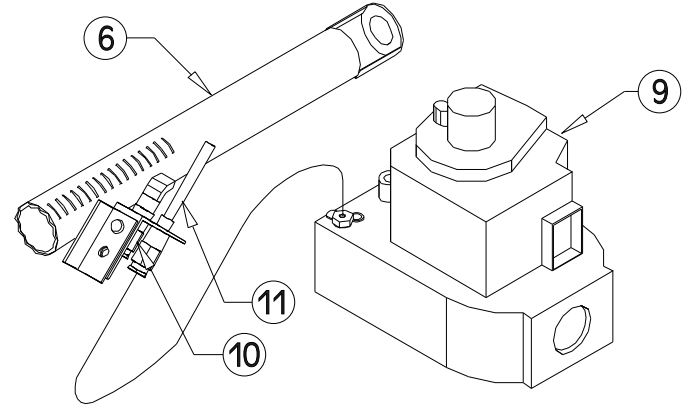
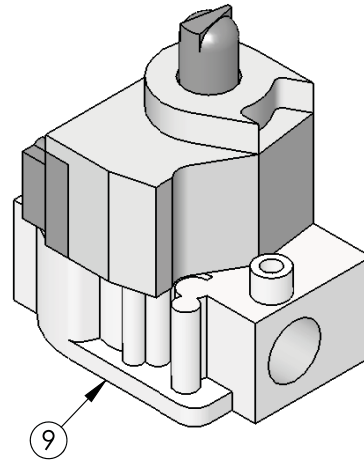
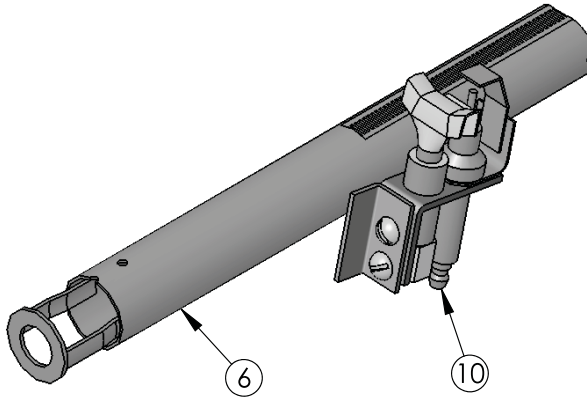
All repair parts orders - no minimum charges.

Please order with code number.

All prices quoted are in U.S. dollars.

All prices subject to change without notice.

All prices F.O.B. Bally, PA





PeerlessBoilers.com

Peerless®

Series MI85™ /MHII™ /MI™

All repair parts orders - no minimum charges.

Please order with code number.

All prices quoted are in U.S. dollars.

All prices subject to change without notice.

All prices F.O.B. Bally, PA

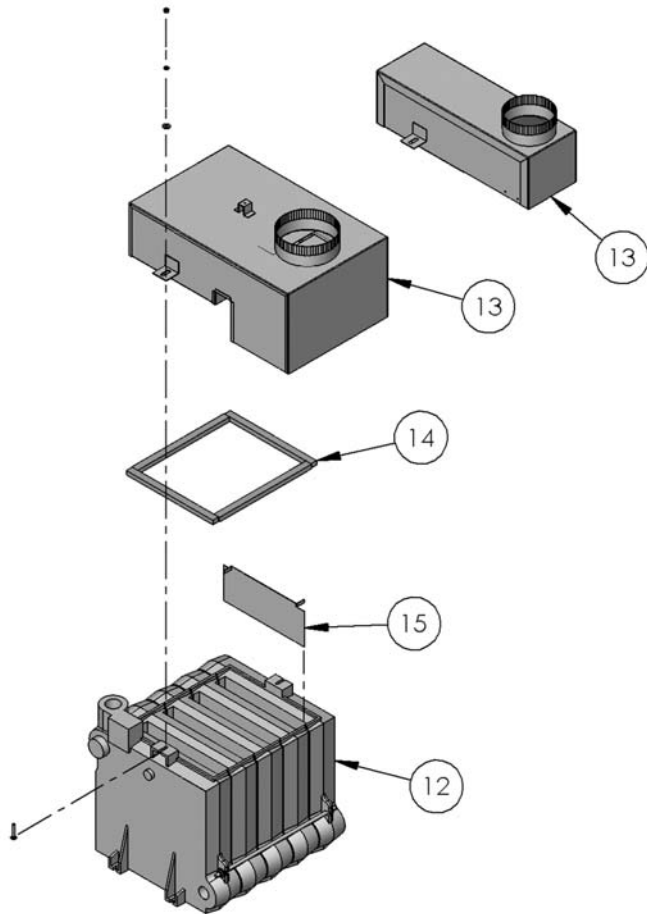
	Description	Quantity Required	Stock Code	Trade Price
N/S	Ignition Control -HW, S8610F-1024, NAT	1	50672	\$153
9	Honeywell VR8200A-21 16 Gas Valve Standing – Natural Gas MI-03 thru MI-05	1	50581	\$158
	Honeywell VR8204A-2001 Gas Valve Spark – Natural Gas MI-03 thru MI-05, Current	1	50583	\$151
	Honeywell SV9501M-2700 Gas Valve Smart – Natural Gas MI-03 thru MI-05	1	51682	\$445
	Honeywell VR8204A-2183 Gas Valve Spark – LP Gas MI-03 thru MI-05, Current	1	50584	\$222
	Honeywell SV9501M-2064 Gas Valve Smart – LP Gas MI-03 thru MI-05	1	51691	\$419
	Honeywell VR8300C-4035 Gas Valve Standing – LP Gas MI-06 thru 09	1	91333	\$305
	Honeywell VR8300A-401 1 Gas Valve Standing – LP Gas MI-06 thru MI-09, OBS	1	50588	\$137
	Honeywell VR8304M-4010 Gas Valve Spark – LP Gas MI-06 thru MI-09, Current	1	50590	\$243
	Honeywell SV9601M-4225 Gas Valve Smart – LP Gas MI-06 thru MI-09	1	51692	\$549
	Honeywell VR8300A-4003 Gas Valve Standing – Natural Gas MI-06 thru MI-09	1	50587	\$261
	Honeywell VR8304M-4002 Gas Valve Spark – Natural Gas MI-06 thru MI-09, Current	1	50589	\$277
	Honeywell SV9601M-4167 – Natural Gas MI-06 thru MI-09 SV	1	51683	\$409
	Honeywell VR8300C-4035 Gas Valve Standing – LP Gas MI-06 thru MI-09	1	91333	\$305
	Honeywell Q348A-1002 Spark Pilot – Natural Gas, Current OBS	1	50558	\$51
	10	Honeywell Q348A-1358 Spark Pilot – LP Gas, Current, MI Only,OBS	1	51814
Pilot Assembly, Q3480B1644/B, w/ Natural & LP Gas Orifice w/ Cable		1	50996	\$51
Honeywell Q3480B1041 Pilot – Natural Gas – SV Ignition .022 24, MI Only		1	51295	\$91
Honeywell Q3480B1025 Pilot – LP Gas – SV Ignition .016 36, MI Only,(obs 2012)		1	50205	\$119
Honeywell Q314U-1001 Universal Standing Pilot – NAT/LP Gas, MI STDG Only		1	51905	\$114
Burner tube Pilot .018 ALB Assy, & Thermocouple (Kit)		1	91318	\$146
10a	Ignition Cable 30" SPRK, HW 394800-30	1	50640	\$30
11	Johnson K1 6BA-24D Thermocouple – 24" STDG, MI Only	1	50838	\$30



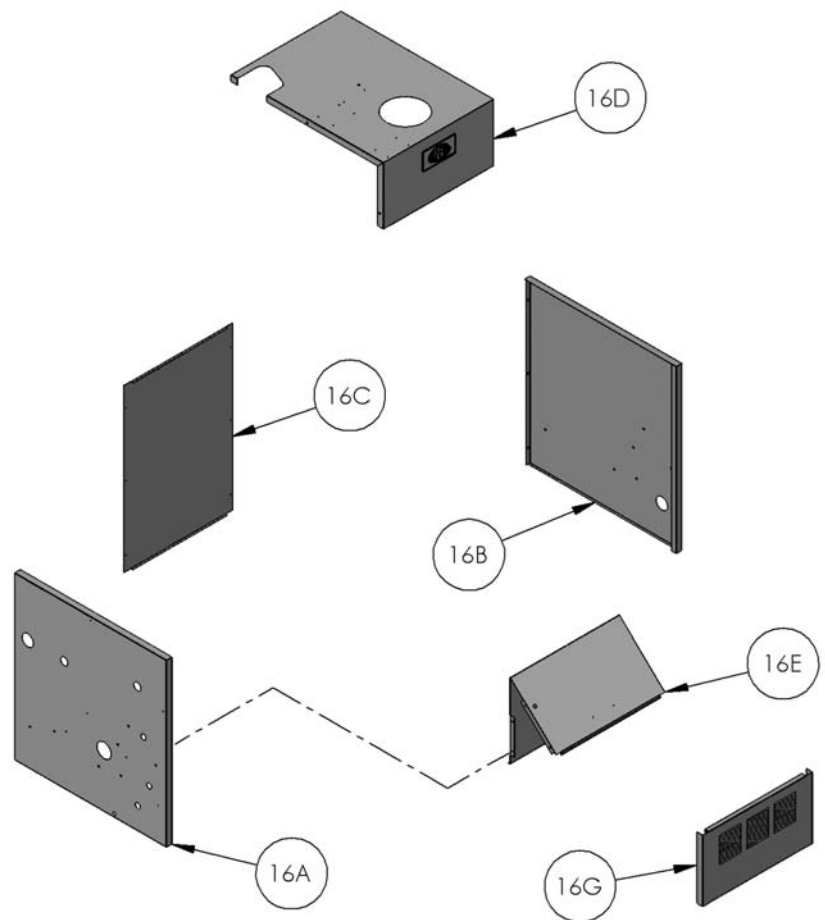
PeerlessBoilers.com

Peerless® Series MI85™ /MHII™ /MI™

All repair parts orders - no minimum charges.
Please order with code number.
All prices quoted are in U.S. dollars.
All prices subject to change without notice.
All prices F.O.B. Bally, PA



Block/Draft Hood



Jacket



PeerlessBoilers.com

Peerless® Series MI85™ /MHII™ /MI™

All repair parts orders - no minimum charges.

Please order with code number.

All prices quoted are in U.S. dollars.

All prices subject to change without notice.

All prices F.O.B. Bally, PA

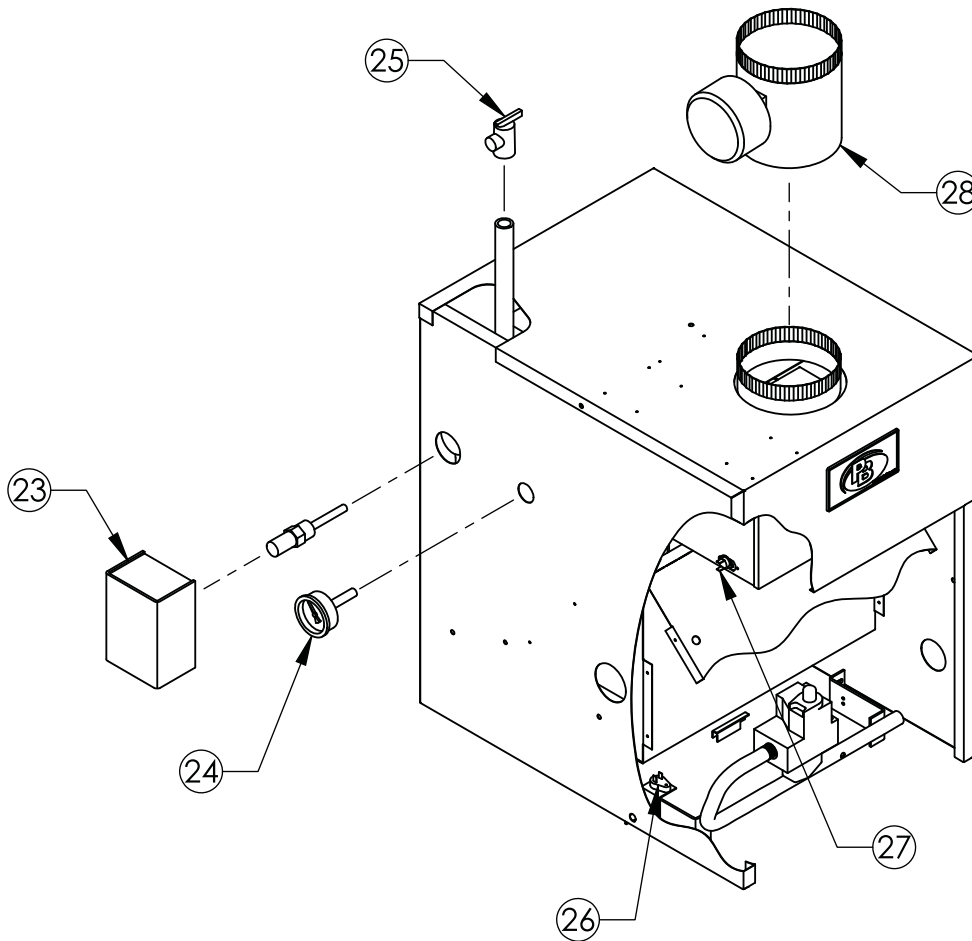
	Description	Quantity Required	Stock Code	Trade Price
12	Block Assembly – MI, MIH,MIHII-03	1	90419	\$816
	Block Assembly – MI, MIH,MIHI-04	1	90420	\$1,037
	Block Assembly – MI, MIH,MIHI-05	1	90421	\$1,242
	Block Assembly – MI, MIH,MIHI-06	1	90422	\$1,471
	Block Assembly – MI-07	1	90423	\$1,747
	Block Assembly – MI-08	1	90424	\$1,974
	Block Assembly – MI-09	1	90425	\$2,201
13	Flue Collector/Draft Hood – MI, MIH,MIHI-03	1	90510	\$116
	Flue Collector/Draft Hood – MI, MIH,MIHI-04	1	90511	\$128
	Flue Collector/Draft Hood – MI, MIH,MIHII-05	1	90512	\$162
	Flue Collector/Draft Hood – MI, MIH,MIHI-06	1	90513	\$194
	Flue Collector/Draft Hood – MI-07	1	90514	\$219
	Flue Collector/Draft Hood – MI-08	1	90515	\$249
	Flue Collector/Draft Hood – MI-09	1	90516	\$270
13b	1/4"-20 x 2-1/4" Carriage Bolt w/ Nuts & Washer, (Local Hdwr Supply)	2	–	–
14	Flue Collector Blanket Seal (, Flue Collector Blanket Seal 1/2 X 3/4) 4' to 7'	7.ft	50866	\$10
16	Jacket Assembly (Complete Jacket*) –MI, MIH, MIHII-03	1	90445	\$299
	Jacket Assembly (Complete Jacket*) – MI, MIH, MIHII-04	1	90446	\$317
	Jacket Assembly (Complete Jacket*) – MI, MIH, MIHII-05	1	90447	\$336
	Jacket Assembly (Complete Jacket*) – MI-06	1	90448	\$351
	Jacket Assembly (Complete Jacket*) – MI-07	1	90449	\$377
	Jacket Assembly (Complete Jacket*) – MI-08	1	90450	\$420
	Jacket Assembly (Complete Jacket*) – MI-09	1	90451	\$449
15	Flue Baffle - 8" – MIH-03	2	51584	\$23
	Flue Baffle - 8" – MIH-04	3	51584	\$23
	Flue Baffle - 8" – MIH-05	4	51584	\$23
	Flue Baffle - 8" – MIH-06	5	51584	\$23
16A 1 6B 1 6C 16D 16E 16G	*Complete Jacket Consists of: Left Side Panel Right Side Panel Rear Panel Top Upper Front Panel Inner Front Baffle Panel Removable Front Panel			



PeerlessBoilers.com

Peerless® Series MI85™ /MHII™ /MI™

All repair parts orders - no minimum charges.
Please order with code number.
All prices quoted are in U.S. dollars.
All prices subject to change without notice.
All prices F.O.B. Bally, PA



Controls/Circulator/Vent Damper



PeerlessBoilers.com

Peerless® Series MI85™ /MHII™ /MI™

All repair parts orders - no minimum charges.

Please order with code number.

All prices quoted are in U.S. dollars.

All prices subject to change without notice.

All prices F.O.B. Bally, PA

	Description	Quantity Required	Stock Code	Trade Price
23	Honeywell L8148E-1182 Limit w/ 3/4" Well, (Earlier Units)	1	51689	\$201
	LIMIT HYDROLEVEL 3200 RESET W/ LWCO	☼	50334	\$333
	Bracket / Sensor Assy, Hydrostat Surface Mt. 12"	☼	54522	\$68
	WELL 3/4" NPT Well Std Length	☼	50723	\$25
24	Temperature-Pressure Gauge	1	51324	\$27
25	Safety Relief Valve, 30 PSI, Conbraco 10-408-05	1	50501	\$41
	Safety Relief Valve, 50 PSI, Watts #350	☼	51028	\$101
26	Flame Roll-Out Safety Shut-Off Switch	1	51587	\$18
27	Blocked Vent Shut-Off (Spill) Switch – MI Only	1	90592	\$33
	Blocked Vent Shut-Off (Spill) Switch – MIH, MIII, MI-85	1	90593	\$34
28	5" Vent Damper – MI, MIH,MI-II, MI-85;-03 thru -04	1	90612	\$0
	6" Vent Damper – MI, MIH,MI-II, MI-85;-05 thru -06	1	90613	\$296
	7" Vent Damper – MI-07	1	90614	\$313
	8" Vent Damper – MI-08 thru MI-09	1	90615	\$334
	Harness Vent Damper 60"	1	6631	\$30
	Harness Vent Damper 72"	1	6632	\$42
Conversion Kit Natural to LP Gas, (Earlier Units) MI Only				
N/S	STDG – MI-03 thru MI-06	☼	50670	\$131
N/S	STDG – MI-07 thru MI-08	☼	50671	\$143
N/S	STDG – MI-03 thru MI-05	☼	91118	\$251
N/S	STDG – MI-06	☼	91119	\$338
N/S	STDG – MI-07 thru MI-09	☼	91120	\$497
N/S	SPRK – MI-03 thru MI-06	☼	50678	\$334
N/S	SPRK – MI-07 thru MI-09	☼	50679	\$403
N/S	SV – MI-03 thru MI-06	☼	50692	\$86
N/S	SV – MI-07 thru MI-09	☼	50988	\$89
Conversion Kit LP to Natural Gas, (Earlier Units) MI Only				
N/S	STDG – MI-03 thru MI-06, Serial Number less than 132000	☼	50666	\$164
N/S	STDG – MI-07 thru MI-09, Serial Number less than 132000	☼	50667	\$146
N/S	STDG – MI-03 thru MI-05, Serial Number Greater than 132000	☼	91115	\$283
N/S	STDG – MI-06, Serial Number Greater than 132000	☼	91116	\$353
N/S	STDG – MI-07 thru MI-09, Serial Number Greater than 132000	☼	91117	\$351
N/S	SPRK – MI-03 thru MI-06, MIHII-03 thru MIIHII-06, MI85-03 thru MI85-06	☼	50674	\$149
N/S	SPRK – MI-07 thru MI-09	☼	50675	\$182
N/S	SV – MI-03 thru MI-06, (obs) 10/2012	☼	50989	\$91
N/S	SV – MI-07 thru MI-09, (obs) 10/2012	☼	50990	\$93
Conversion Kits for Standing Pilot & SV Intermittent Gas Valves, (Earlier Units) MI Only				
N/S	From SPRK Sys to STDG-N48 – MI-03 thru MI-06	☼	51011	\$352
N/S	From SPRK Sys to STDG-N49 – MI-07 thru MI-08-MC03-08	☼	51012	\$387
N/S	From SPRK to STDG-LP56 – MI-03 thru MI-06	☼	51013	\$372
N/S	From SPRK to STDG-L57 – MI-07 thru MI-08-MC03-08	☼	51014	\$382
N/S	From STDG to SPRK-N48 – MI-03 thru MI-06	☼	51015	\$572
N/S	From STDG to SPRK-N49 – MI-07 thru MI-08-MC03-08	☼	51016	\$650
N/S	From STDG to SPRK-LP56 – MI-03 thru MI-06	☼	51017	\$626
N/S	From STDG to SPRK-LP57 – MI-07 thru MI-08-MC03-08	☼	51018	\$626
N/S	From SV to STDG-N – MI-03 thru MI-06, (obs) 10/2012	☼	90132	\$686
N/S	From SV to STDG-N – MI-07 thru MI-08-MC03-08, (obs) 10/2012	☼	90136	\$725
N/S	From SV to STDG-LP – MI-03 thru MI-05, (obs) 10/2012	☼	90142	\$527
N/S	From SV to STDG-LP – MI-03 thru MI-06, (obs) 10/2012	☼	90143	\$928
N/S	From SV to STDG-LP – MI-07 thru MI-08-MC03-08, (obs) 10/2012	☼	90144	\$971
N/S	From STDG to SV-N – MI-07 thru MI-08-MC03-08, (obs) 10/2012	☼	90147	\$606
(Current, MI-Only) Fuel Conversion Kits for Spark Pilot to Spark Pilot				
N/S	Conversion Kit, MI03-06 DE03-06 SPRK Nat to LP (2012+) OR SV TO LP	–	50692	\$86
N/S	Conversion Kit, MI03-06 DE03-06 SPRK LP TO NatP (2012+) OR SV TO LP	–	50989	\$91
N/S	Conversion Kit, MI07-09 SPRK, LP to Nat (2012+) OR SV TO LP	–	50990	\$93
N/S	Conversion Kit, MI07-09 SPRK Nat to LP (2012+) OR SV TO LP	–	50988	\$89