



PeerlessBoilers.com

# Peerless® Series CC™

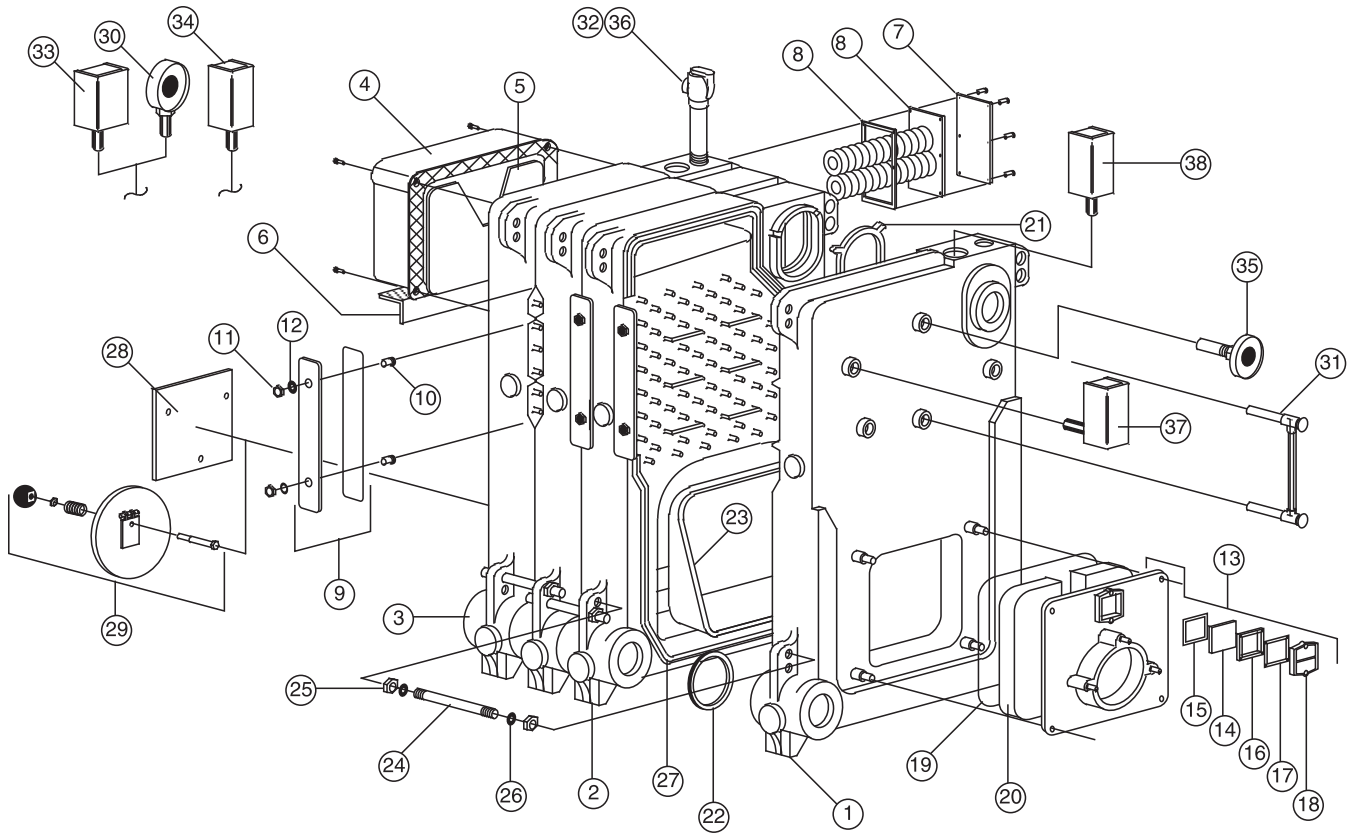
All repair parts orders - no minimum charges.

Please order with code number.

All prices quoted are in U.S. dollars.

All prices subject to change without notice.

**All prices F.O.B. Bally, PA**





PeerlessBoilers.com

# Peerless® Series CC™

All repair parts orders - no minimum charges.

Please order with code number.

All prices quoted are in U.S. dollars.

All prices subject to change without notice.

**All prices F.O.B. Bally, PA**

	Description	Quantity Required	Stock Code	Trade Price
1	Front Section	1	69101	\$1,397
	Front Section, Inspection Tapp, (3) 1-1/2 per section	☼	69102	\$2,806
2	Intermediate Section	1	69103	\$1,208
	Intermediate Section , Inspection Tapp, (3) 1-1/2 per section	☼	69104	\$2,806
	Intermediate Heater Section	☼	69105	\$1,378
	Intermediate Heater Section, Inspection Tapp, (3) 1-1/2 per section	☼	69106	\$2,806
3	Back Section	1	69109	\$1,503
	Back Section, Inspection Tapp, (3) 1-1/2 per section	1	69110	\$2,806
4	7" Flue Box Assembly,Hood, Slide Damper, Angle Bracket, and Hardware	1	69303	\$178
	8"Flue Box Assembly,Hood, Slide Damper, Angle Bracket, and Hardware	1	69305	\$158
	9"Flue Box Assembly,Hood, Slide Damper, Angle Bracket, and Hardware	1	69307	\$175
	10"Flue Box Assembly,Hood, Slide Damper, Angle Bracket, and Hardware	1	69308	\$176
4a	Flue Outlet Adapter 10" to 12" CC-11/12	1	69311	\$699
5	Slide Damper Only	1	92050	CF
6	Angle Bracket Only	1	92051	CF
7	Tankless Cover Plate Assembly (includes hardware and gasket)	1	92052	\$267
8	Tankless Coil (includes hardware and gasket)	1	69361	\$1,482
8a	Tankless Cover Plate Gasket	1	92053	CF
9	Clean Out Cover Plate assembly includes: Clean Out Plate, Insulation and rope	1	92054	CF
10, 11, 12	Clean Out Cover Plate Hardware Kit (2 Sections)	1	92055	CF
13	Burner Mounting Plate Assembly Includes: Burner Plate, with Observation Glass assembly	1		
	Burner Mounting Plate Assembly 6-1/2" Opening (Beck G/O, Carlin)	1	69351	\$203
	Burner Mounting Plate Assembly 7-3/4" Opening (Beck G/O,PF J&C)	1	69352	\$179
	Burner Mounting Plate Assembly 9-1/8" Opening (PF G/O,,C )	1	69353	\$179
13a	Burner Mounting Plate Hardware	1	7653	\$15
14	Observation Glass	1	7648	\$6
15	Observation Glass Gasket	1	7650	\$6
16	Observation Glass Gasket	1	7649	\$8
17	Observation Glass Holder	1	7651	\$10
18	Observation Cover Plate	1	7677	\$10
19	Rope Seal 1/4" x 4.75ft. ** Price Per Foot **	5 ft	92056	\$4
20	Burner Door Insulation CC-03 though 06 (Beckett Burner)	1	69330	\$131
	Burner Door Insulation CC-03 though 12	1	69331	\$131
20a	Burner Door Insulation Hardware	1	92057	\$5
21	Upper Port Gasket (Viton) 1 per Section	1	92058	\$111
22	Lower Port gasket (Viton) 1 per Section	1	92059	\$56
23	Target Wall CC-03 through 06 only	1	69340	\$43
24	Draw Rod 5/8" x 9" (4 Rods per Section)	1	92060	\$6
25	Hex Nut 5/8" (2 per Rod)	1	51567	\$4
26	Washer 5/8" (1 per Rod)	1	7289	\$3
27	Rope 3/8" 10' 4" per section	10.5'	92061	\$4
28	Rear Observation Cover Plate CC-03 through 06	1	92062	\$5
29	Rear Observation Cover Plate CC-07 through 12	1	92063	\$5
<b>Steam Trim</b>				
30	3-1/2" Steam Gage w/internal siphon	1	92064	\$42
31	Gage Glass Set 92065	1	92065	\$42
32	1" Safety Relief Valve 15 PSI (CC-03 through 05)	1	92066	\$72
	1-1/4" Safety Relief Valve 15 PSI (CC-06 through 10)	1	92067	\$72
	1-1/2" Safety Relief Valve 15 PSI (CC-11/12)	1	92068	\$72
33	PA 404A Operating Control 50549	1	50549	\$155
34	L4079B Limit Control 50681	1	50681	\$311
<b>Water Trim</b>				
35	3-1/2" Pressure/Temperature Gage	1	92069	\$39
36	3/4" 40 PSI Relief Valve CC-03 through 08	1	92070	\$72
	1" 40 PSI Relief Valve CC-09 through 11	1	92071	\$72
	1-1/4" 40 PSI Relief Valve CC-12	1	92072	\$72
37	L4006A Operating Control	1	51702	\$156
38	L4006E Hi Limit Control w/ Manual Reset	1	50570	\$137