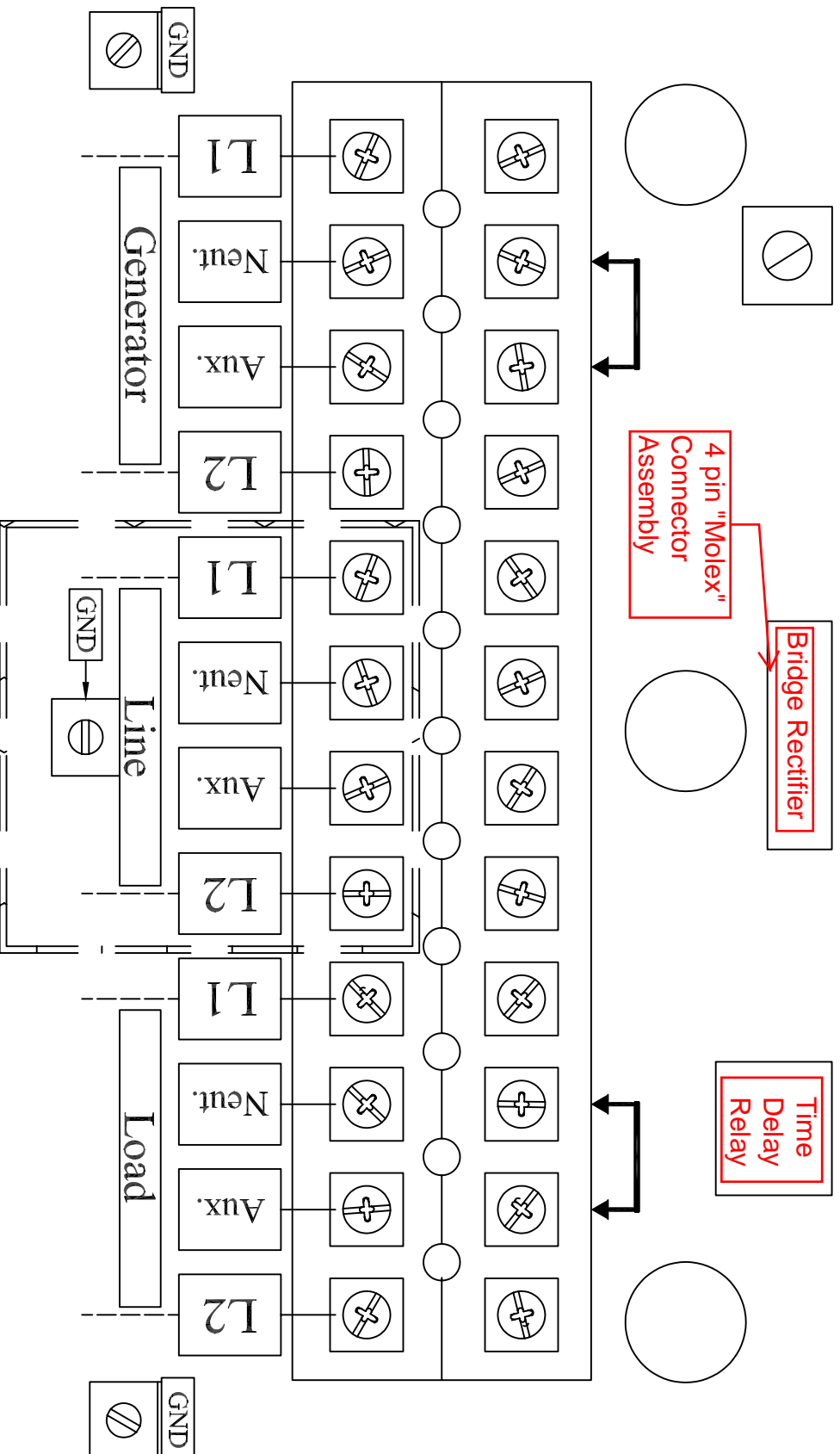


# ATS 5070 Series Terminal Block Wiring Label

This Automatic Line/Generator switch is rated for use on a circuit capable of delivering not more than 5000 RMS symmetrical amperes. 240 VAC MAX

Operating Ambient 35°C Max. All field wire terminals - CU 6-14: Torque 30 in lbs.

Equipment Ground      All GND terminals - CU 2-14 : Torque 40 in lbs.



Note: Insert supplied jumpers **only** into the positions shown for 70 amp. GEN. neutral capability.

51143500-44