



Peerless® Series DE™

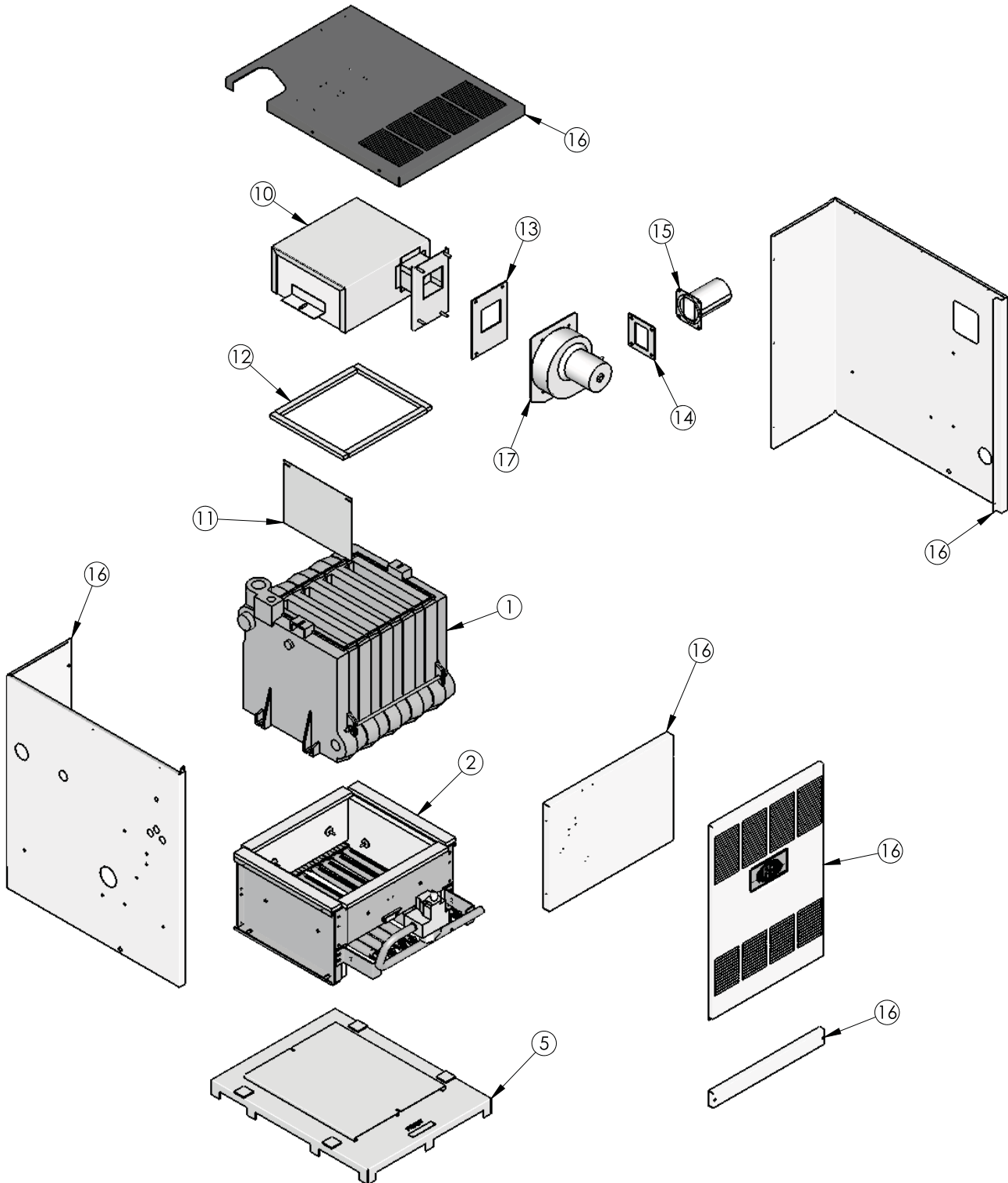
All repair parts orders - no minimum charges.

Please order with code number.

All prices quoted are in U.S. dollars.

All prices subject to change without notice.

All prices F.O.B. Bally, PA





PeerlessBoilers.com

Peerless® Series DE™

All repair parts orders - no minimum charges.

Please order with code number.

All prices quoted are in U.S. dollars.

All prices subject to change without notice.

All prices F.O.B. Bally, PA

	Description	Quantity Required	Stock Code	Trade Price
1	Block Assembly – DE-03	1	90419	\$816
	Block Assembly – DE-04	1	90420	\$1,037
	Block Assembly – DE-05	1	90421	\$1,242
	Block Assembly – DE-06	1	90422	\$1,471
2	Assembled Steel Base – DE-03	1	7800	\$190
	Assembled Steel Base – DE-04	1	7801	\$290
	Assembled Steel Base – DE-05	1	7802	\$294
	Assembled Steel Base – DE-06	1	7803	\$306
2a	Base Blanket Seal, (4' to 7')	7.ft	50867	\$8
6	Steel Burner w/ Pilot Clip	1	51539	\$35
-	Steel Burner – DE-03	3	51537	\$22
	Steel Burner – DE-04	5		
	Steel Burner – DE-05	7		
	Steel Burner – DE-06	9		
7	Gas Manifold – DE-03	1	50978	\$42
	Gas Manifold – DE-04	1	50979	\$49
	Gas Manifold – DE-05	1	50980	\$53
	Gas Manifold – DE-06	1	50981	\$58
8	Orifice Spud, #48 Natural Gas – DE-03	4	50894	\$10
	Orifice Spud, #48 Natural Gas – DE-04	6		
	Orifice Spud, #48 Natural Gas – DE-05	8		
	Orifice Spud, #48 Natural Gas – DE-06	10		
	Orifice Spud, #56 LP Gas – DE-03	4	50899	\$10
	Orifice Spud, #56 LP Gas – DE-04	6		
	Orifice Spud, #56 LP Gas – DE-05	8		
	Orifice Spud, #56 LP Gas – DE-06	10		
9	Flame Rollout Safety Shut Off Switch	1	51587	\$18
10	Flue Collector/Fan Mount – DE-03	1	90195	\$164
	Flue Collector/Fan Mount – DE-04	1	90196	\$176
	Flue Collector/Fan Mount – DE-05	1	90197	\$186
	Flue Collector/Fan Mount – DE-06	1	90198	\$199
10a	1/4"-20 x 2-1/4" Carriage Bolt w/ Nuts & Washer, (Local Hdwr Supply)	2	-	-
11	Flue Baffle - 8" – DE – 03	2	51584	\$23
	Flue Baffle - 8" – DE – 04	3	51584	\$23
	Flue Baffle - 8" – DE – 05	4	51584	\$23
	Flue Baffle - 8" – DE – 06	5	51584	\$23
12	Flue Collector Blanket Seal (Flue Collector Blanket Seal 1/2 X 3/4) 4' to 7'	7.ft	50866	\$10
13	Fan Gasket	1	50204	\$10
14	Fan Adapter Gasket	1	50203	\$10
15	Fan Adapter	1	90199	\$39
16	Jacket Assembly – DE-03	1	90244	\$381
	Jacket Assembly – DE-04	1	90245	\$385
	Jacket Assembly – DE-05	1	90246	\$427
	Jacket Assembly – DE-06	1	90247	\$431
17	Fan Fasco-7021-9158 – Blower DE-03 thru DE-06 early model (95'-00')	1	51169	\$513
	Fan Fasco-7021 10992 – Blower DE-03 thru DE-06 current modern (01'-Present)	1	50212	\$499



PeerlessBoilers.com

Peerless® Series DE™

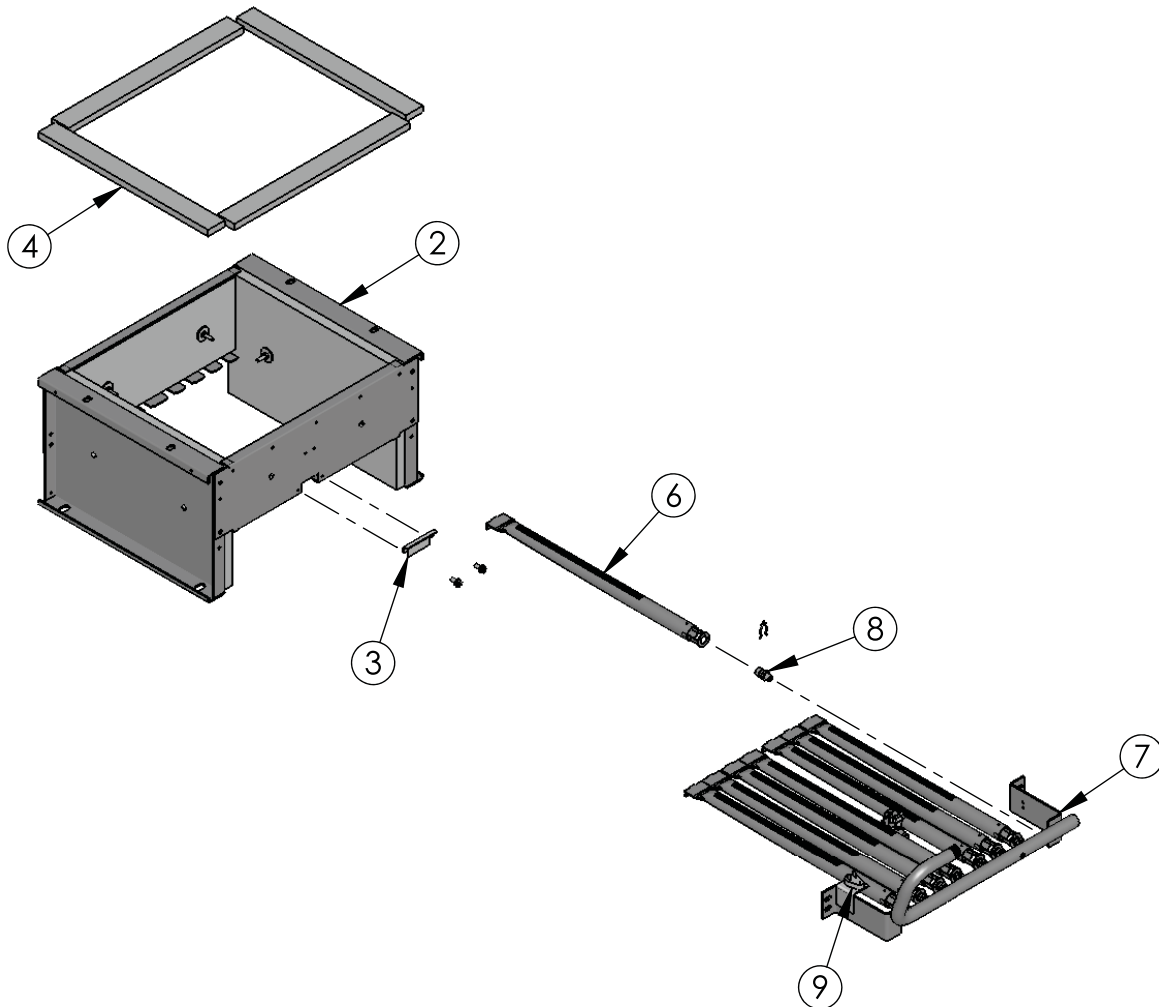
All repair parts orders - no minimum charges.

Please order with code number.

All prices quoted are in U.S. dollars.

All prices subject to change without notice.

All prices F.O.B. Bally, PA





PeerlessBoilers.com

Peerless® Series DE™

All repair parts orders - no minimum charges.

Please order with code number.

All prices quoted are in U.S. dollars.

All prices subject to change without notice.

All prices F.O.B. Bally, PA

	Description	Quantity Required	Stock Code	Trade Price
2	Assembled Steel Base – DE-03	1	7800	\$190
	Assembled Steel Base – DE-04	1	7801	\$290
	Assembled Steel Base – DE-05	1	7802	\$294
	Assembled Steel Base – DE-06	1	7803	\$306
6	Steel Burner w/ Pilot Clip	1	51539	\$35
7	Gas Manifold – DE-03	1	50978	\$42
	Gas Manifold – DE-04	1	50979	\$49
	Gas Manifold – DE-05	1	50980	\$53
	Gas Manifold – DE-06	1	50981	\$58
8	Orifice Spud, #48 Natural Gas – DE-03	4	50894	\$10
	Orifice Spud, #48 Natural Gas – DE-04	6		
	Orifice Spud, #48 Natural Gas – DE-05	8		
	Orifice Spud, #48 Natural Gas – DE-06	10		
	Orifice Spud, #56 LP Gas – DE-03	4	50899	\$10
	Orifice Spud, #56 LP Gas – DE-04	6		
	Orifice Spud, #56 LP Gas – DE-05	8		
	Orifice Spud, #56 LP Gas – DE-06	10		
9	Flame Rollout Safety Shut Off Switch	1	51587	\$18
–	Honeywell SV9501 M-2700 Smart Gas Valve – Natural Gas – DE-03 thru DE-05	1	51682	\$445
–	Honeywell SV9501 M-2064 Smart Gas Valve – LP Gas – DE-03 thru DE-05	1	51691	\$419
–	Honeywell SV9601 M-4225 Smart Gas Valve – LP Gas – DE-06	1	51692	\$549
–	Honeywell SV9601 M-41 67 Smart Gas Valve – Natural Gas – DE-06	1	51683	\$409
–	Honeywell SV9601 M-4225 Smart Gas Valve – LP Gas – DE-06	1	51692	\$549
–	Honeywell VR8204A-2183 Spark Gas Valve – LP Gas – DE-03 thru DE-05	1	50584	\$222
–	Honeywell VR8304M-4010 Spark Gas Valve – LP Gas – DE-06	1	50590	\$243
–	Honeywell VR8204A-2001 Spark Gas Valve – Natural Gas – DE-03 thru DE-05	1	50583	\$151
–	Honeywell VR8304M-002 Spark Gas Valve – Natural Gas – DE-06	1	50589	\$277
–	Honeywell Q348A-1358 Pilot – LP Gas Spark – DE-03 thru DE-06, OBS	1	51814	\$50
–	Honeywell Q348A-1 002 Pilot – Natural Gas Spark – DE-03 thru DE-06, OBS	1	50558	\$51
–	Pilot Assembly, Q3480B1644/B, w/ Natural & LP Gas Orifice w/ Cable	1	50996	\$51
–	Honeywell Q3480B1041 Pilot – Natural Gas Smart Valve – DE-03 thru DE-06	1	51295	\$91
–	Honeywell Q3480B-1 058 Pilot – LP Gas Smart Valve – DE-03 thru DE-06	1	50205	\$119
N/S	Ignition Cable 30" SPRK, HW 394800-30, OBS	1	50640	\$30
–	Honeywell L4080B-1253 Limit – DE-03 thru DE-06 (early model)	1	50210	\$108
N/S	LIMIT HYDROLEVEL 3200 RESET W/ LWCO	☼	50334	\$333
N/S	Bracket / Sensor Assy, Hydrostat Surface Mt. 12"	☼	54522	\$68
N/S	WELL 3/4" NPT Well Std Length	☼	50723	\$25
N/S	Ignition Control Spark Gas – Honeywell S861 0M-1 003	1	50672	\$153
N/S	Zettler ZC90113-117 Transformer & 24V Relay (Earlier Models Only)	1	50786	\$54
N/S	Cleveland NS2 1104-03 Switch – 1.68" W.C. Set Point Pink – DE-03	1	50038	\$30
N/S	Cleveland NS2 1104-02 Switch – 1.47" W.C. Set Point Purple – DE-04 & DE-05	1	50037	\$33
N/S	Cleveland NS2 1104-01 Switch – 1.27" W.C. Set Point Brown – DE-06	1	50036	\$23
N/S	120V, Zettler Relay ZC90341, (Earlier Models Only)	1	50790	\$34
–	24V Zettler Relay ZC90341, (Current Models Only)	1	50726	\$25
–	Safety Relief Valve 30 PSI Conbraco 10-408-05	1	50501	\$41
–	Safety Relief Valve 50 PSI Watts #350	☼	51028	\$101
–	Temperature Pressure Gauge	1	51324	\$27
–	Conversion Kit DE-03 thru DE-05 – From SPRK-LP to SPRK-N (early model)	☼	50662	\$191
–	Conversion Kit DE-06 – From SPRK-LP to SPRK-N (early model)	☼	50663	\$108
–	Conversion Kit DE-06 – From SV-LP to SV-N (early model)	☼	50990	\$93
–	Conversion Kit DE03, DE-05 – From SV-LP to SV-N (early model)	☼	50989	\$91
–	Conversion Kit DE03, DE-06 – From SV-N to SV-LP (early model)	☼	50988	\$89
–	Conversion Kit DE-03, DE-06 – From SPRK-N to SPRK-LP (early model)	☼	90966	\$299
(Current, DE-03 thru -06) Fuel Conversion Kits for Spark Pilot to Spark Pilot				
N/S	Conversion Kit MI03-06 DE03-06 SPRK Nat to LP (2012+) OR SV TO LP	☼	50692	\$86
N/S	Conversion Kit MI03-06 DE03-06 SPRK LP TO Nat (2012+) OR SV TO LP	☼	50989	\$91