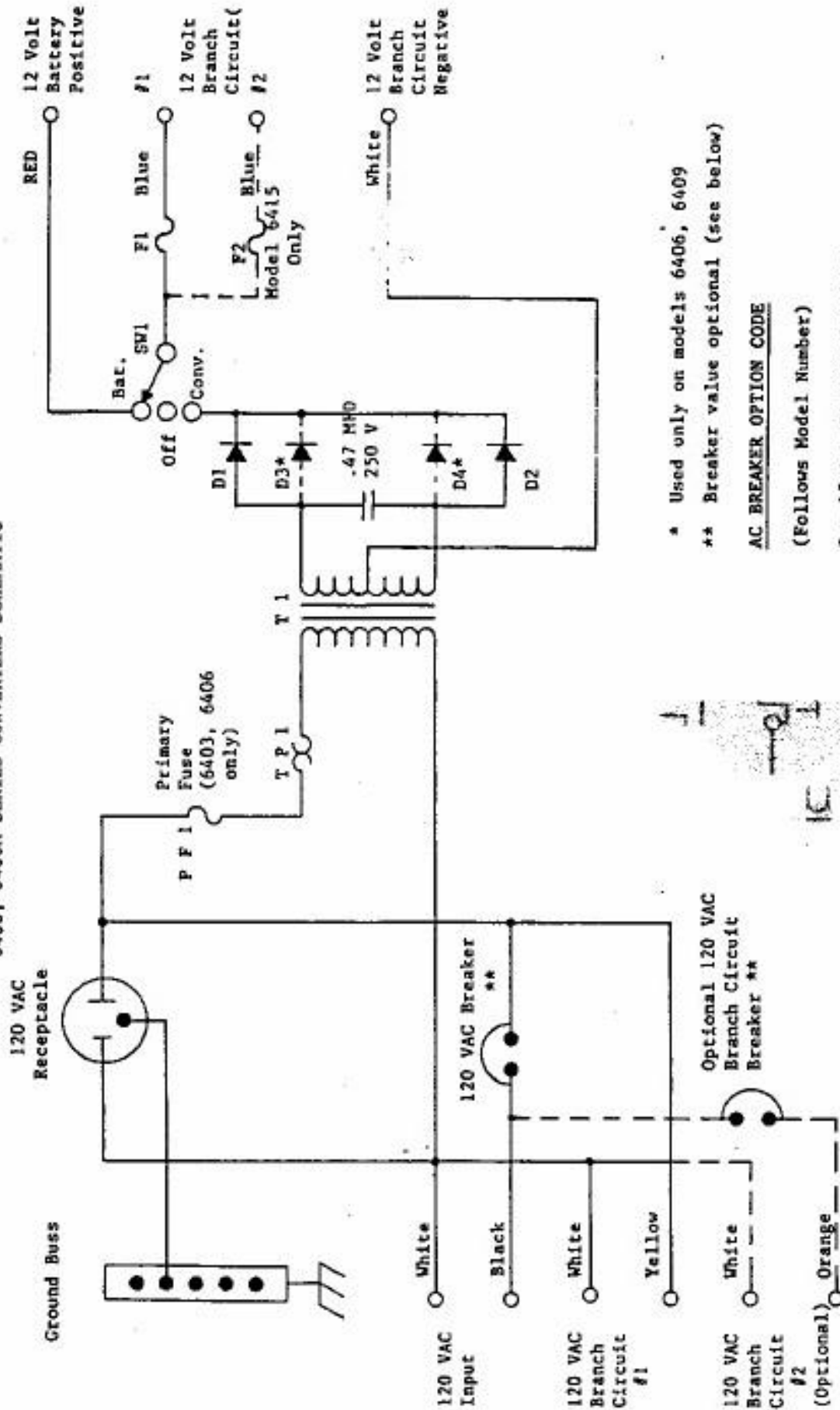


6400, 6400A SERIES CONVERTERS SCHEMATIC



\* Used only on models 6406, 6409  
 \*\* Breaker value optional (see below)

AC BREAKER OPTION CODE

(Follows Model Number)

- G - 15 Amp Circuit Breaker
- H - 15/15 Duplex Circuit Breaker
- J - 20 Amp Circuit Breaker
- K - 20/20 Duplex Circuit Breaker
- O - 15/20 Duplex Circuit Breaker
- L - 30 Amp Circuit Breaker