



PeerlessBoilers.com

Peerless® PINNACLE®

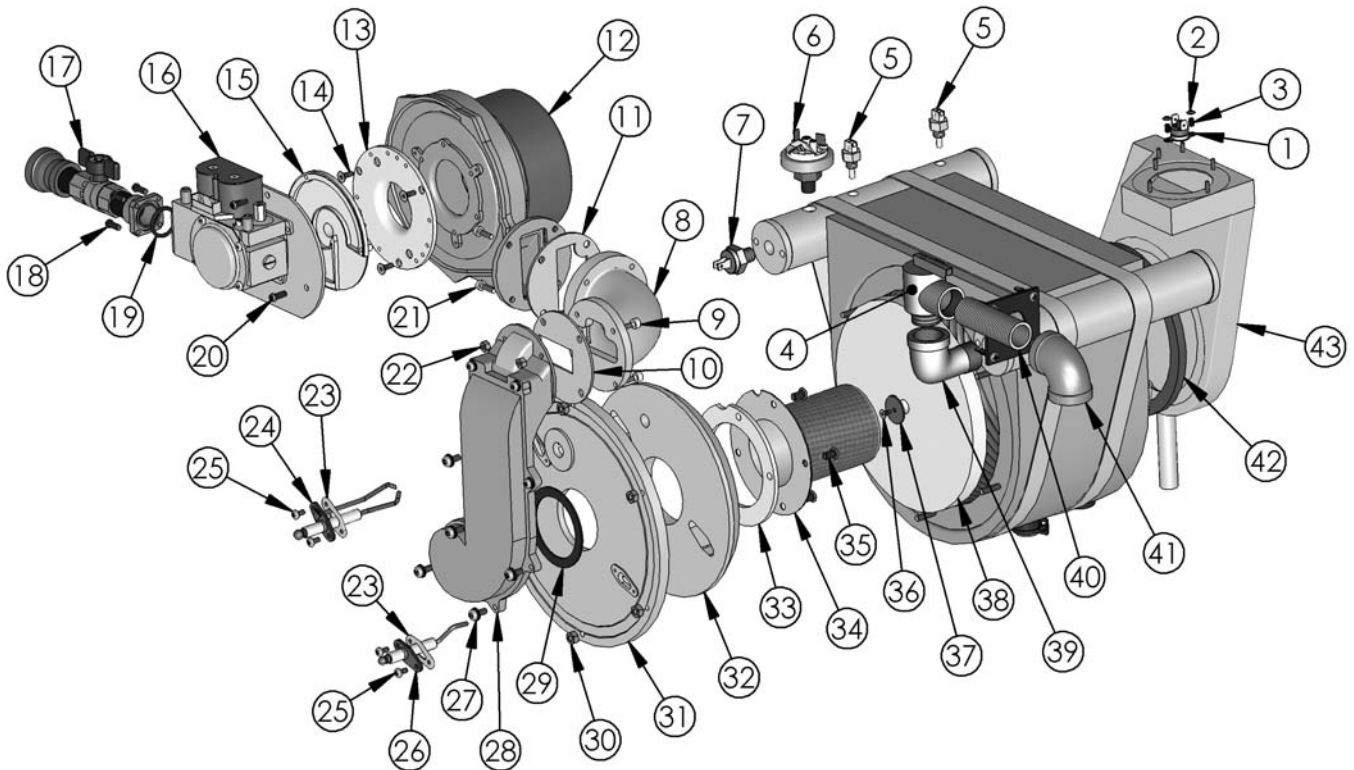
All repair parts orders - no minimum charges.

Please order with code number.

All prices quoted are in U.S. dollars.

All prices subject to change without notice.

All prices F.O.B. Bally, PA



PI-T50 & PI-T80



Peerless® PINNACLE®

All repair parts orders - no minimum charges.
 Please order with code number.
 All prices quoted are in U.S. dollars.
 All prices subject to change without notice.
All prices F.O.B. Bally, PA

PI-T50 & PI-T80

	Description	Quantity Required	Stock Code	Trade Price
1	Switch Temp Vent 210°F	1	91429	\$100
2	Spring Clip, (Local Hdwr Supply)	2	–	–
3	Unused	–	–	–
4	SRV 30 PSI Relief Valve	1	91430	\$113
5	Temperature Sensor	2	91435	\$67
6	Water Pressure Limit Switch Tapered Thread (Strapped Headers)	1	91609	\$151
7	Water Temperature Limit Switch	1	91410	\$200
8	Pre-Mix Elbow	1	–	–
9	Screw, M5 x 14mm, (Local Hdwr Supply)	8	–	–
10	Gasket, Pre-Mix Channel Intake – REV 0, REV 1	1	91600	\$14
11	Gasket, Blower Outlet	1	91500	\$38
12	Combustion Blower – PI-80 – REV 0, REV 1	1	91423	\$1,128
13	Gas Valve Adapter Plate Dungs	1	91545	\$103
14	Screw, M4 x 10mm, (Local Hdwr Supply)	3	–	–
15	Swirl Plate – PI-T50, Blue, PP	1	91592	\$181
	Swirl Plate – PI-T80, White, PP	1	91542	\$181
16	Gas Valve Combination – PI-T50	1	91478	\$456
	Gas Valve Combination – PI-T80	1	91479	\$511
17	Manual Shut-off Valve, 1/2" NPT, (Local Hdwr Supply)	1	54130	–
18	Screw M4 x 12mm Phil Rd Hd, (Local Hdwr Supply)	2	–	–
18a	Screw M5 x 12mm Phil Rd Hd, (Local Hdwr Supply)	2	–	–
19	O-Ring, 3/4"	2	91512	\$11
20	Screw, M4 x 10mm, (Local Hdwr Supply)	3	–	–
21	Screw, M5 x 12mm, (Local Hdwr Supply)	4	–	–
22	Nut, M5, (Local Hdwr Supply)	4	–	–
23	Gasket, Sensor / Igniter	2	91491	\$28
24	Ignition Electrode – PI-T50	1	91467	\$107
	Ignition Electrode – PI-T80	1	91411	\$138
25	Screw, M4 X 8mm, (Local Hdwr Supply)	4	–	–
26	Flame Sensor – REV 0, REV 1	1	91412	\$120
	Flame Sensor – REV 2	1	91551	\$142
27	Screw, M4 X 8mm, (Local Hdwr Supply)	8	–	–
28	Pre-Mix Channel	1	91604	\$270
29	Gasket, Pre-Mix Channel Outlet	1	91600	\$14
30	Nut, M10, (Local Hdwr Supply)	6	–	–
31	Burner Door – REV 0, REV 1	1	91601	\$405
	Burner Door – REV 2	1	91557	\$208
32	Burner Door Refractory – REV 0, REV 1	1	91433	\$229
	Burner Door Refractory – REV 2	1	91558	\$216
33	Gasket, Burner	1	91440	\$47
34	Burner – PI-T50	1	91472	\$250
	Burner – PI-T80	1	91407	\$838
35	Burner Screw M6 x 10mm Phil Rd Hd, Brass (Local Hdwr Supply)	4	–	–
36	Screw, M4 X 8 mm, Stainless, (Local Hdwr Supply)	1	–	–
37	Washer, Stainless (Local Hdwr Supply)	1	–	–
38	Target Wall Ceramic	1	91432	\$95
39	3/4 NPT Street, Brass 90, (Local Hdwr Supply)	1	–	–
40	3/4 NPT X 3", Brass Nipple, (Local Hdwr Supply)	1	–	–
41	Elbow - Brass 3/4 NPT (Local Hdwr Supply)	1	–	–
42	Gasket, Flue Collector	1	91594	\$56
43	Flue Collector	1	91593	\$104
48	Blocked Vent Pressure Limit Switch, (Supplied on later Units)	1	91498	\$98



Peerless® PINNACLE®

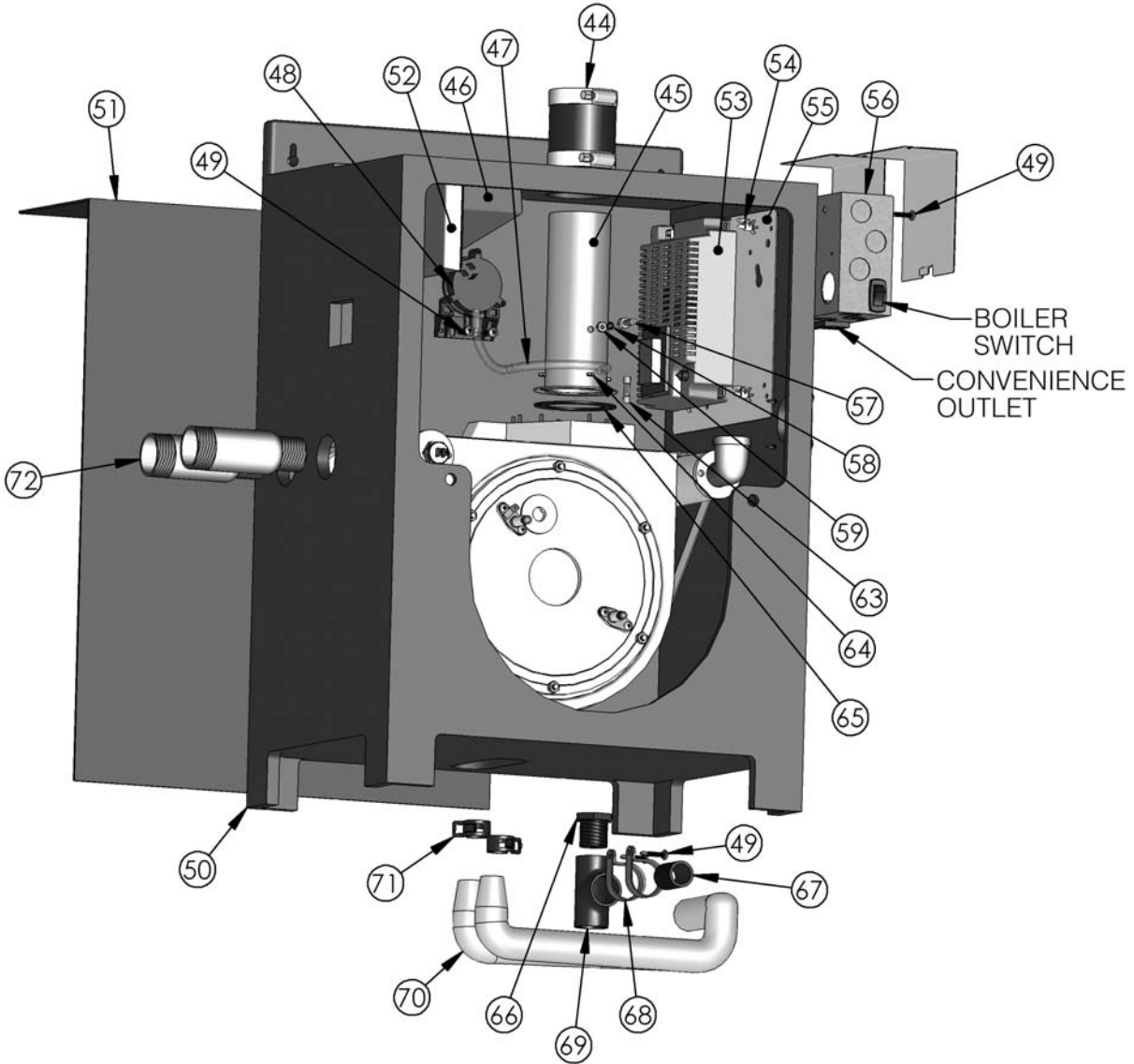
All repair parts orders - no minimum charges.

Please order with code number.

All prices quoted are in U.S. dollars.

All prices subject to change without notice.

All prices F.O.B. Bally, PA



PI-T50 & PI-T80



PeerlessBoilers.com

Peerless® PINNACLE®

All repair parts orders - no minimum charges.

Please order with code number.

All prices quoted are in U.S. dollars.

All prices subject to change without notice.

All prices F.O.B. Bally, PA

PI-T50 & PI-T80

	Description	Quantity Required	Stock Code	Trade Price
44	Flue Adapter	1	91595	\$104
45	Exhaust Manifold Tube	1	91596	\$526
46	Air Intake Baffle	1	91599	\$213
47	Tubing 1/4" ID	1	-	-
48	Blocked Vent Pressure Limit Switch	1	91498	\$98
49	Screw Phil Rd Hd , Stainless (Local Hdwr Supply)	2	-	-
50	Leveling Foot, when supplied	-	91561	\$34
51	Front Jacket, Plastic	1	-	-
52	Display module, 125 / 825 Display w/ ribbon connector, red connector	1	91461	\$272
	Display module, 926 Display w/ ribbon connector (Current), connector large	1	91612	\$359
	P125 Control Board w/ Fuse PI-T80 – REV 1 /2	1	91614	\$829
	P825 Control Board w/ Fuse PI-T50 – REV 2	1	91564	\$314
	P825 Control Board w/ Fuse PI-T80 – REV 2, (Obsolete) §	1	91565	\$341
54	Mounting Clip – Control Board	6	91602	\$21
55	Mounting Panel – Control Board	1	91523	\$120
56	Terminal Box (Local Hdwr Supply)	1	-	-
57	Hose Barb Stainless 1/4" IDT x 10-32 (Local Hdwr Supply)	1	-	-
58	O-Ring 007 (Local Hdwr Supply)	1	-	-
59	Nut, Hex. 10-32 , Stainless (Local Hdwr Supply)	1	-	-
60	Low Voltage Wiring Harness (not shown)	1	91577	\$100
61	9 Pin Wiring Harness 120V (not shown) – REV 0, REV 1	1	91467	\$107
	9 Pin Wiring Harness 120V (not shown) – REV 2	1	91580	\$43
	9 Pin Wiring Harness 120V (not shown) High Altitudes, (Obsolete)	1	91486	\$18
62	5 Pin Wiring Harness 120V Harness (not shown) – REV 0, REV 1	1	91473	\$35
	5 Pin Wiring Harness 120V (not shown) – REV 2	1	91579	\$42
63	Spare Fuse, "Slow blow", Board 6.3Amp, Radio Shack # 270-1068	1	91471	\$32
64	Nut, Hex. M3, Stainless (Local Hdwr Supply)		-	-
65	Gasket, Exhaust Tube	1	91598	\$14
66	Vent Plug – 3/4" NPT Black PVC	1	-	-
67	3/4" NPT Nipple, Black PVC	1	-	-
68	Cable Clamp	1	-	-
69	3/4" NPT Tee, Black PVC	1	-	-
70	Condensate Hose	1	91518	\$156
71	Spring Clip, (Obsolete)	2	-	-
	Plastic Hose Clamp, (Current)	2	54139	\$28
72	Reducing Nipple Brass 1-1/4" NPT x 1" NPT	2	91499	\$61
N/S	Spark Ignition Cable (not shown) – P125, P825	1	91476	\$39
N/S	P125 20 Pin Control Harness (not shown) – REV 0, REV 1	1	91464	\$100
Vent Termination Kits				
N/S	2" Stainless Steel Vent Termination Kit	1	91465	\$240
N/S	2" Concentric Vent Termination Kit	1	91469	\$114
N/S	2" Sch 40 PVC Coupling	1	91453	\$8
N/S	2" Sch 40 PVC Tee	1	91454	\$11
N/S	2"Stainless Steel Screen	1	91451	\$11
N/S	3"Stainless Steel Vent Termination Kit	1	91402	\$541
N/S	3" PVC Coupling	1	91466	\$35
N/S	3" PVC Tee	1	91452	\$24
N/S	3" Stainless Steel Screen	1	91437	\$27
Accessories				
N/S	Condensate Neutralizer	1	91438	\$208
N/S	PC Service Software – REV 1	1	91490	\$13
N/S	PC Service Software – REV 2	1	91591	\$27
N/S	PC Interface Cable – REV 1, REV 2	1	91470	\$737
N/S	Analog Interface Adapter – REV 1, REV 2	1	91488	\$515
N/S	Pressure Temperature Gauge	1	91434	\$67
N/S	Outdoor Sensor – REV 2	1	91587	\$175
N/S	Indirect Tank Sensor – REV 2	1	91589	\$190
N/S	PI-80, PI-1 40, PI-1 99 Conversion Kit Conversion Kit LP to Nat (Honeywell Valve) WHA.	1	90337	\$27

§ = Limited availability of parts



PeerlessBoilers.com

Peerless® PINNACLE®

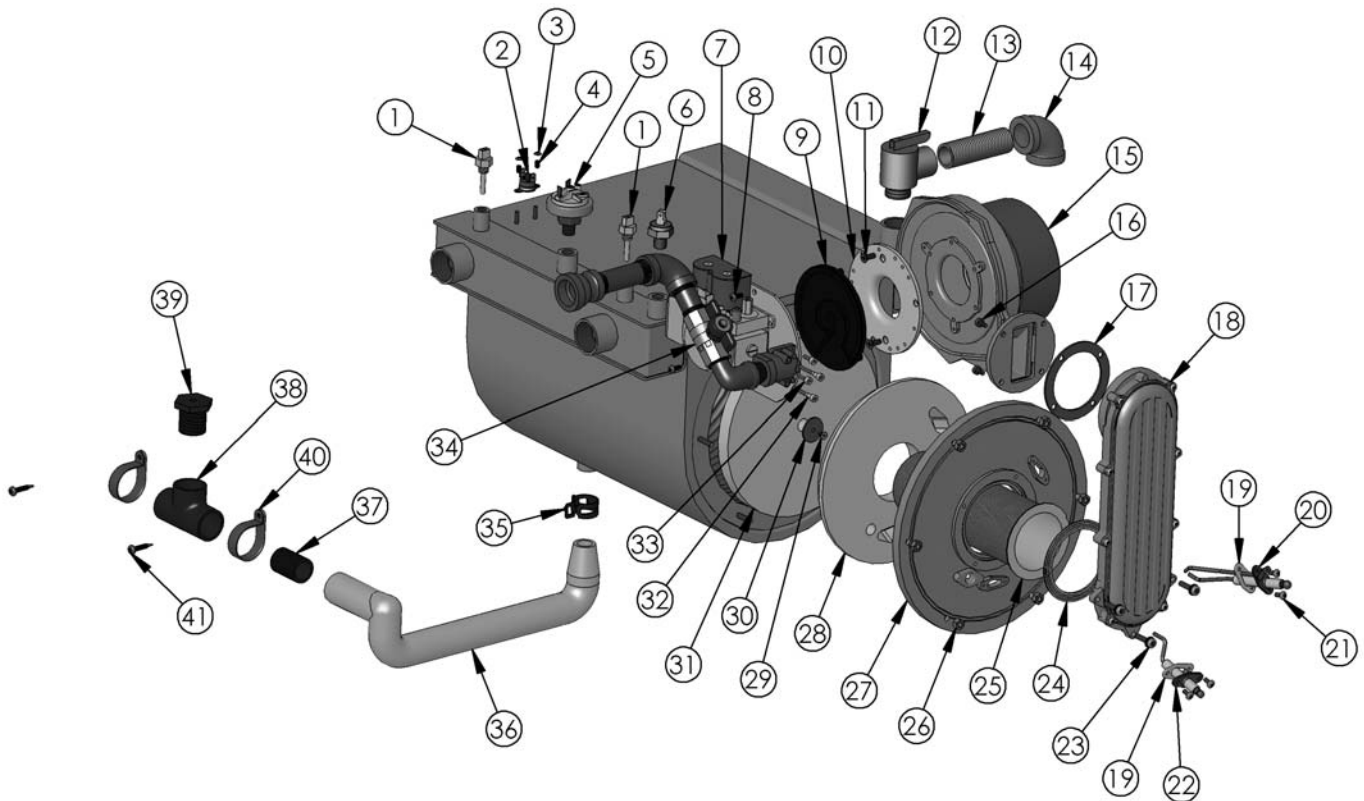
All repair parts orders - no minimum charges.

Please order with code number.

All prices quoted are in U.S. dollars.

All prices subject to change without notice.

All prices F.O.B. Bally, PA



PI-80, PI-140 & PI-199



PeerlessBoilers.com

Peerless® PINNACLE®

All repair parts orders - no minimum charges.

Please order with code number.

All prices quoted are in U.S. dollars.

All prices subject to change without notice.

All prices F.O.B. Bally, PA

PI-80, PI-140 & PI-199

	Description	Quantity Required	Stock Code	Trade Price
1	Temperature Sensor	2	91532	\$97
2	Flue Limit Switch	1	91429	\$100
3	Spring Clip, (Local Hdwr Supply)	2	-	-
4	Unused Reference	-	-	-
	Water Pressure Switch, Welded Header, Tapered Thread	1	91609	\$151
6	Water Temperature Limit Switch	1	91410	\$200
	Gas Valve Honeywell – REV 0, REV 1	1	91426	\$586
	Venturi – Honeywell – PI-80 – REV 0, REV 1	1	91481	\$135
	"Venturi – Honeywell – PI-1 40, PI-199 – REV 0, REV 1"	1	91482	\$125
	Gas Valve Dungs – PI-80 – REV 2	1	91538	\$532
	Gas Valve Dungs – PI-1 40 – REV 2	1	91539	\$532
	Gas Valve Dungs – PI-199 – REV 2	1	91540	\$532
N/S	Conversion Kit PI-80 (Honeywell Valve) 4.0, WHA.	1	90334	\$68
N/S	Conversion Kit PI-140 (Honeywell Valve) 5.3 WHA.	1	90335	\$68
N/S	Conversion Kit PI-199 (Honeywell Valve) 5.4 WHA.	1	90336	\$68
N/S	PI-80, PI-1 40, PI-1 99 Conversion Kit Conversion Kit LP to Nat (Honeywell Valve) WHA.	1	90337	\$27
N/S	Vent Pressure Switch, Rev.0	1	91428	\$283
8	Screw, M4 x 12mm, (Local Hdwr Supply)	3	-	-
	Swirl Plate, PI-80, White, PP	1	91542	\$181
	Swirl Plate, PI-140, Grey PP	1	91543	\$181
10	Gas Valve Adapter Plate Dung	1	91545	\$103
11	Screw, M5 x 12mm, (Local Hdwr Supply)	-	-	-
12	Relief Valve	1	91430	\$113
13	3/4 NPT X 3", Brass Nipple,	1	-	-
14	Elbow - Brass 3/4 NPT	1	-	-
	Combustion Blower – PI-80 – REV 0, REV 1	1	91423	\$1,128
15	Combustion Blower – PI-1 40	1	91424	\$1,168
	Combustion Blower – PI-199	1	91425	\$1,177
-	Blower Outlet Tap Boot – REV 1, REV 2, (When required)	1	91446	\$6
16	Screw, M5 x 14mm, (Local Hdwr Supply)	4	-	-
	Gasket – Blower Outlet – PI-80 – REV 0, REV 1	1	91443	\$23
17	Gasket – Blower Outlet – PI-140, PI-199 – REV 0, REV 1	1	91441	\$23
	Gasket – Blower Outlet – PI-80, PI-1 40, PI-199 – REV 2	1	54122	\$18
	Premix Channel REV 1, Not Available	1	-	-
18	Premix Channel – PI-80 – REV 2	1	91548	\$270
	Premix Channel – PI-140, PI-199 – REV 2	1	91549	\$270
19	Gasket – Flame Sensor / Igniter	1	91491	\$28
20	Electrode Spark – REV. O - 1	1	91411	\$138
	Electrode Spark – REV 2	1	91550	\$138
21	Screw, M4-070 x 8mm, (Local Hdwr Supply)	4	-	-
22	Flame Sensor – REV 0, REV 1	1	91412	\$120
	Flame Sensor – REV 2	1	91551	\$142
23	Screw M5 x 22 mm Torx T25, (Local Hdwr Supply)	8	-	-
	Gasket – Burner Tube (Internal)– REV 0, REV 1	1	91440	\$47
24	Gasket – Burner Intake, (External) – REV 2	1	91552	\$78
	Burner Tube – PI-80 – REV 0, REV 1 (Flange)	1	91407	\$838
	Burner Tube – PI-80 – REV 2	1	91553	\$889
	Burner Tube – PI-140 – REV 0, REV 1 (Flange)	1	91408	\$1,024
	Burner Tube – PI-140 – REV 2	1	91554	\$1,126
	Burner Tube – PI-199 – REV 0, REV 1 (Flange)	1	91409	\$1,199
	Burner Tube – PI-199 – REV 2	1	91555	\$1,272
26	Nut, M10 , (Local Hdwr Supply)	6	-	-
27	Burner Door – REV 0, REV 1	1	91601	\$405
	Burner Door – REV 2	1	91557	\$208
28	Refractory Burner Door – REV 0, REV 1	1	91433	\$229
	Refractory Burner Door – REV 2	1	91558	\$216
29	Screw, M4 X 8 mm, Stainless, (Local Hdwr Supply)	1	-	-
30	Washer, Stainless (Local Hdwr Supply)	1	-	-
31	Target Wall Ceramic	1	91432	\$95
32	Screw, M4 X 30 mm, Stainless, (Local Hdwr Supply)	2	-	-
33	Screw, M4 X 12 mm, Stainless, (Local Hdwr Supply)	2	-	-
34	Manual Shut-off Valve, 1/2" NPT, (Local Hdwr Supply)	1	54130	\$35
	Spring Clip, (Obsolete)	2	-	-
35	Plastic Hose Clamp, (Current)	2	54139	\$28
36	Condensate Trap Assembly,	1	91576	\$151
37	3/4" NPT Nipple, Black PVC , (Local Hdwr Supply)	1	-	-
38	3/4" NPT Tee, Black PVC, (Local Hdwr Supply)	1	-	-
39	3/4" NPT vent plug, hex head, Black PVC, (Local Hdwr Supply)	1	-	-
40	Cable Clamp	1	-	-
41	Screw, #8 X 1/2" Stainless, (Local Hdwr Supply)	4	-	-

*Note: HTP has instructions to drill out tear drop opening, to a Figure "8" to accommodate later style igniter.



Peerless® PINNACLE®

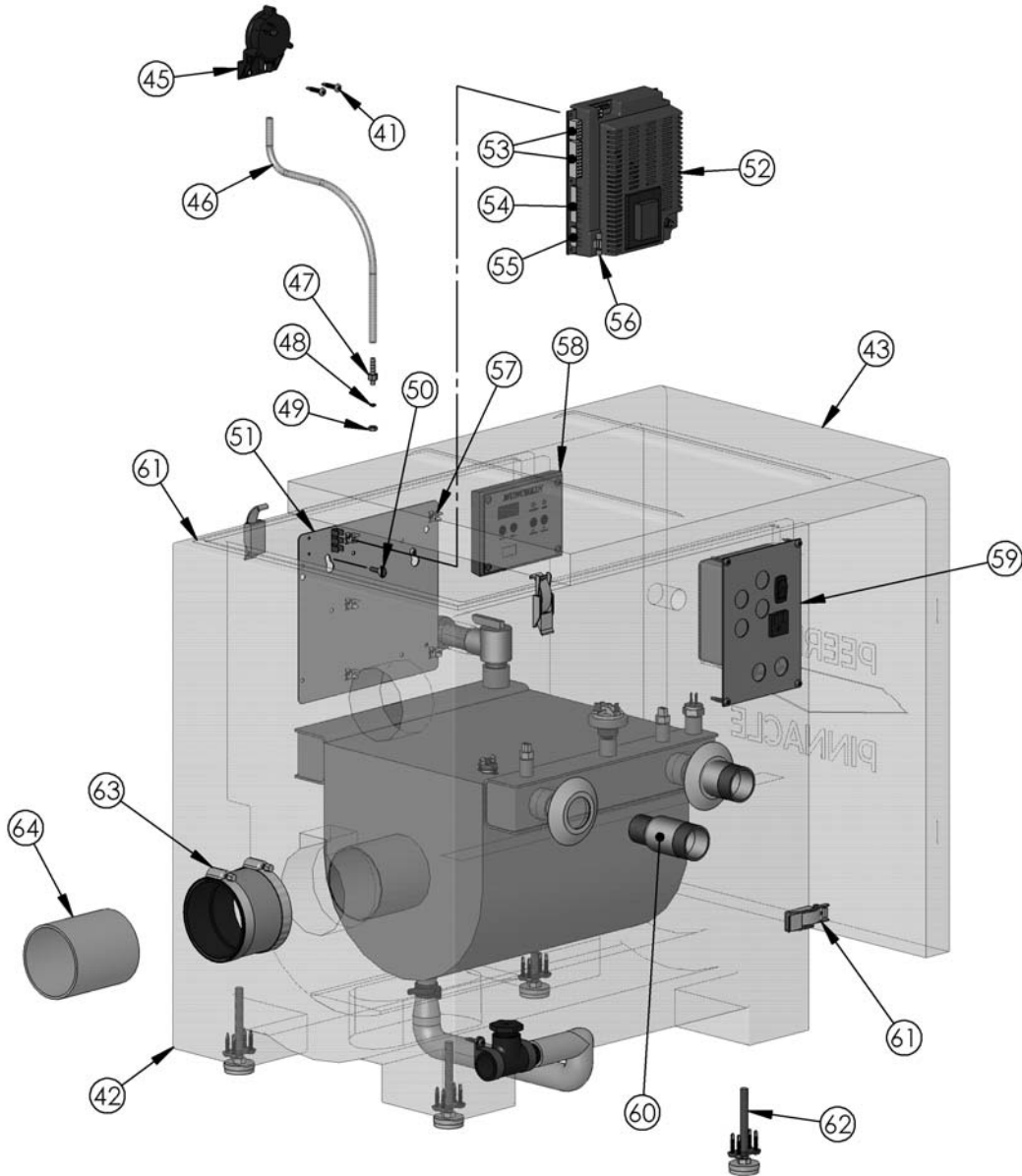
All repair parts orders - no minimum charges.

Please order with code number.

All prices quoted are in U.S. dollars.

All prices subject to change without notice.

All prices F.O.B. Bally, PA





Peerless® PINNACLE®

All repair parts orders - no minimum charges.
 Please order with code number.
 All prices quoted are in U.S. dollars.
 All prices subject to change without notice.
All prices F.O.B. Bally, PA

PI-80, PI-140 & PI-199

	Description	Quantity Required	Stock Code	Trade Price
42	Jacket, Plastic, Not Available as a Part	1	-	-
43	Cover Door, Plastic, Not Available as a Part	1	-	-
44	Unused	-	-	-
45	Blocked Vent Pressure Limit Switch, Rev 1 & 2	1	91498	\$98
46	Tubing 3/16" ID PVC, 2 ft.	1	91626	\$2
47	Hose Barb Stainless 1/4" IDT x 10-32 (Local Hdwr Supply)	1	-	-
48	O-Ring 007 (Local Hdwr Supply)	1	-	-
49	Nut, Hex. 10-32 , Stainless (Local Hdwr Supply)	1	-	-
50	Screw, 1/4"-20 X 3/4" Stainless (Local Hdwr Supply)	2	-	-
51	Mounting Panel – Control Board Plastic	1	91445	\$42
	Mounting Panel – Control Board Metal	1	91523	\$120
Boards & Kits				
	926 Upgrade Kit Control Board & Display (80 prog.) Rev 0	1	91623	\$1,207
	926 Upgrade Kit Control Board & Display (140 prog.) Rev 0	1	91624	\$1,816
	926 Upgrade Kit Control Board & Display (199 prog.) Rev 0	1	91625	\$1,816
53	Low Voltage Wring Harness (not shown) – REV 0	1	91418	\$113
	Low Voltage Wring Harness (not shown) – REV 1, REV 2	1	91577	\$100
54	9 Pin Wiring Harness (not shown) – PI-1 40, PI-199 All Revisions	1	91580	\$43
	9 Pin Wiring Harness (not shown) – PI-80 – REV 1	1	91475	\$18
	9 Pin Wiring Harness 120V (not shown) High Altitudes , (Obsolete)	1	91487	\$18
55	5 Pin Wiring Harness (not shown)	1	91579	\$42
56	Spare Fuse, "Slow blow", Board 6.3Amp, Radio Shack # 270-1068	1	91471	\$32
57	Control Board Mounting Clip	6	91602	\$21
58	Display module, 125 / 825 Display w/ ribbon connector, red connetor	1	91461	\$272
	Display module, 926 Display w/ ribbon connector (Current), connector large	1	91612	\$359
59	Terminal Box	1	91603	\$54
60	Reducing Nipple Brass 1-1/4" NPT x 1" NPT	2	91499	\$61
61	Latch & Gasket Assembly – PI-80	2	91582	\$142
	Latch & Gasket Assembly – PI-1 40, PI-199	2	91583	\$226
62	Leveling Foot	4	91561	\$34
63	Exhaust Coupling, Fernco Coupling, (Local Hdwr Supply)	1	-	-
64	3" PVC, Stub, (Local Hdwr Supply)	1	-	-

	Description	Quantity Required	Stock Code	Trade Price
Harness (Not Pictorial)				
N/S	Transformer & Harness (WHA) – REV 0	1	91413	\$208
N/S	Spark Ignition Cable (WHA) – REV 0	1	91414	\$94
N/S	ECO Cable Harness (WHA) – REV 0	1	91415	\$125
N/S	Line Cable Voltage Harness (WHA) – REV 0, (obsolete)	1	91416	\$61
N/S	Thermostat Harness (T-T) (WHA) – REV 0, (obsolete)	1	91417	\$83
N/S	Circulator Harness (WHA) – REV 0	1	91419	\$43
N/S	Inlet Temperature Sensor Harness (WHA) – REV 0	1	91421	\$86
N/S	Blower Molex Harness (WHA) – REV 0	1	91436	\$166
N/S	P125 Edge Card Adapter Harness – P125 Board w/ Old Blower, (obsolete)	1	91444	\$249
N/S	P125 Ignition Cable – REV 1, REV 2	1	91476	\$39
Vent Termination Kits				
-	4" Stainless Steel Vent Termination Kit	-	91401	\$939
Accessories				
N/S	Gas Piping Assembly (w/ shutoff valve & screws) – REV 2	-	91584	\$34
N/S	Pressure Temperature Gauge	-	91434	\$67
N/S	2 Pin Stake-on, Inlet Temperature Sensor Harness (obsolete)	1	91421	\$86
N/S	2 Pin, Inlet Probe Cable Harness MOLEX	1	91435	\$67
N/S	Com Wires (Blue & Pink)	1	91529	\$3
N/S	Alarm Wire (red) 120V	1	91522	\$6



PeerlessBoilers.com

Peerless® PINNACLE®

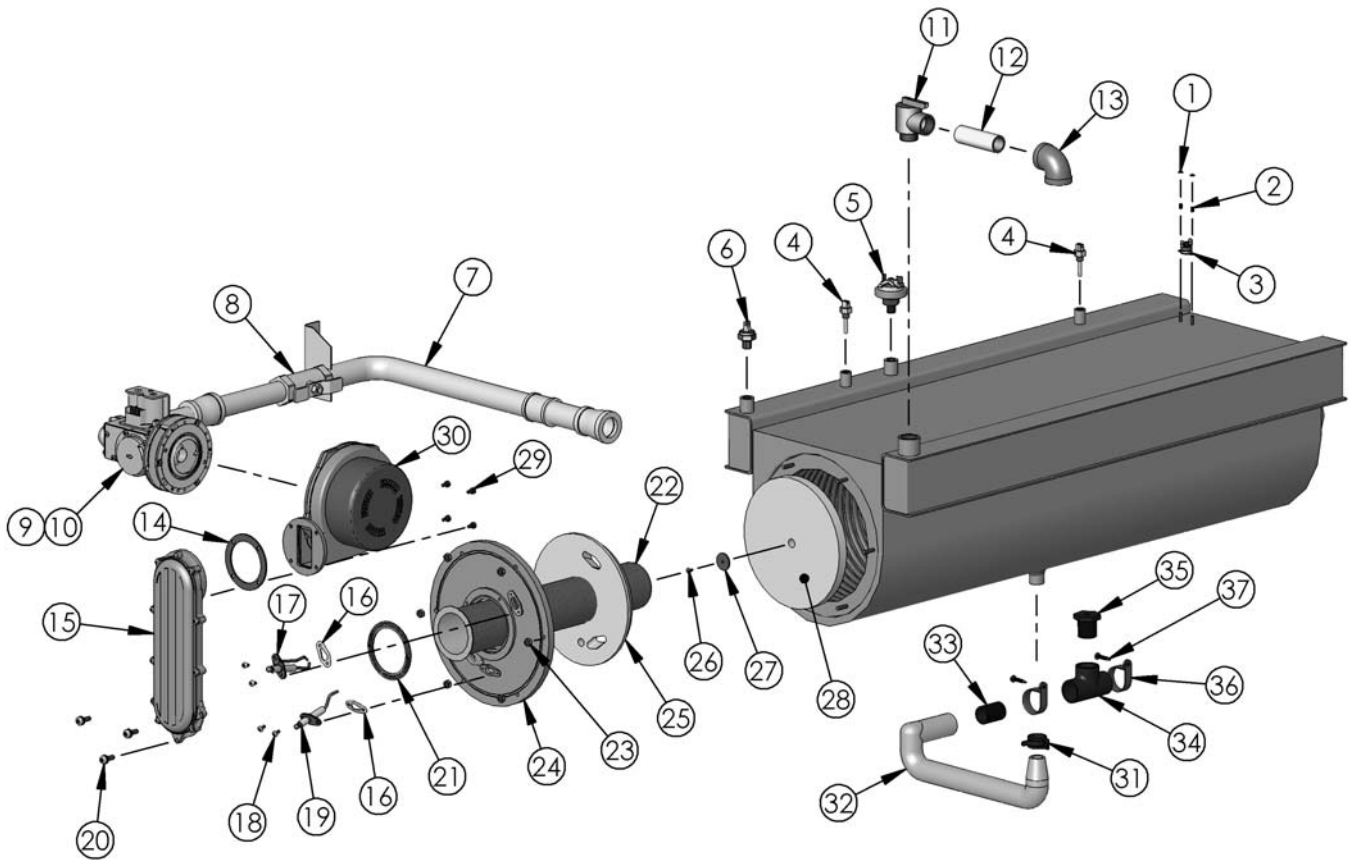
All repair parts orders - no minimum charges.

Please order with code number.

All prices quoted are in U.S. dollars.

All prices subject to change without notice.

All prices F.O.B. Bally, PA



PI-399



PeerlessBoilers.com

Peerless® PINNACLE®

All repair parts orders - no minimum charges.

Please order with code number.

All prices quoted are in U.S. dollars.

All prices subject to change without notice.

All prices F.O.B. Bally, PA

PI-399

	Description	Quantity Required	Stock Code	Trade Price
1	Spring Clip, (Local Hdwr Supply)	2	–	–
2	Unused	–	–	–
3	Flue Limit Switch	1	91429	\$100
4	Temperature Sensor, Thermistor	2	91532	\$97
5	Water Pressure Switch, Welded Header, Tapered Thread (obsolete 2/08)	1	–	–
	Water Pressure Switch, Welded Header, Tapered Thread	1	91609	\$151
6	Water Temperature Limit Switch	1	91410	\$200
7	1" Gas Piping Assembly w/ Mtg Plate – REV 2	1	91584	\$34
	1" Gas Piping Assembly w/ Mtg Plate (includes #'s 8, 9 & 10) – REV 0, REV 1	1	91537	\$3,759
8	1" Gas Shut Off Valve, Full Port (Local Hdwr Supply)	1	91515	–
9	Gas Valve Combination, – REV 2, DUNGS	1	91541	\$1,348
10	Air / Gas Venturi Mixer, – REV 0, REV 1	1	91510	\$307
10a	Swirl Plate, Black, PP – REV 2	1	91544	\$138
10b	399 Adapter – REV 2	1	91585	\$818
11	Relief Valve	1	91430	\$113
12	3/4 NPT X 3", Brass Nipple, (Local Hdwr Supply)	1	–	–
13	Elbow - Brass 3/4 NPT, (Local Hdwr Supply)	1	–	–
14	Gasket – Blower Outlet – REV 2	1	54122	\$18
14 c	Combustion Air (Outlet) Gasket– REV 0, REV 1, Not Shown	1	91441	\$23
14 b	Spacer Block (Outlet) Gasket– REV 0, REV 1, Not Shown	1	–	–
14 a	Spacer Block (Outlet) Gasket– REV 0, REV 1, Not Shown	1	91442	\$27
15	Premix Channel – REV 2	1	91549	\$270
16	Gasket – Flame Sensor / Igniter	2	91491	\$28
17	Electrode Spark– REV 0, REV 1, (PI-T80 , PI-80 to PI-399)	1	91411	\$138
17	Electrode Spark – REV 2, (PI-T80 , PI-80 to PI-399)	1	91550	\$138
18	Screw, M4-070 x 8mm, (Local Hdwr Supply)	4	–	–
19	Flame Sensor– REV 0, REV 1 PI-T80 , PI-80 to PI-399	1	91412	\$120
19	Flame Sensor – REV 2, (PI-T80 , PI-80 to PI-399)	1	91551	\$142
20	Screw M5 x 22 mm Torx T25, (Local Hdwr Supply)	8	–	–
21	Gasket – Burner Intake	1	91552	\$78
22	Burner Tube – REV 0, (22" Long) Obsolete	1	–	–
	Burner Tube – REV 1, (15" Long) Current	1	91516	\$2,311
	Burner Tube – REV 2, 12-7/8" Long	1	91556	\$1,363
23	Nut, M10 , (Local Hdwr Supply)	6	–	–
24	Burner Door – REV 0, REV 1	1	91601	\$405
	Burner Door – REV 2	1	91557	\$208
25	Refractory Burner Door – REV 0, REV 1	1	91433	\$229
	Refractory Burner Door – REV 2	1	91558	\$216
26	Screw, M4 X 8 mm, Stainless, (Local Hdwr Supply)	1	–	–
27	Washer, Stainless (Local Hdwr Supply)	1	–	–
28	Target Wall Ceramic	1	91432	\$95
29	Screw M5 x 14 mm Slit Hd Cap 4 mm, (Local Hdwr Supply)	4	–	–
30	Blower Comb – REV 0, REV 1	1	91509	\$1,264
	Blower Comb – REV 2	1	91563	\$1,256
30a	4 Wire Low Voltage Blower Wiring Harness – REV 0, REV 1, When Required	1	91578	\$149
31	Spring Clip, (Obsolete)	1	–	–
	Plastic Hose Clamp, (Current)	1	54139	\$28
32	Condensate Hose	1	91576	\$151
33	3/4" NPT Nipple, Black PVC , (Local Hdwr Supply)	1	–	–
34	3/4" NPT Tee, Black PVC, (Local Hdwr Supply)	1	–	–
35	Vent Plug – 3/4" NPT Black PVC, (Local Hdwr Supply)	1	–	–
36	Cable Clamp, (Local Hdwr Supply)	1	–	–
37	Screw #8 x 1/2" Self Tapping Phil Rd Hd, (Local Hdwr Supply)	2	–	–



PeerlessBoilers.com

Peerless® PINNACLE®

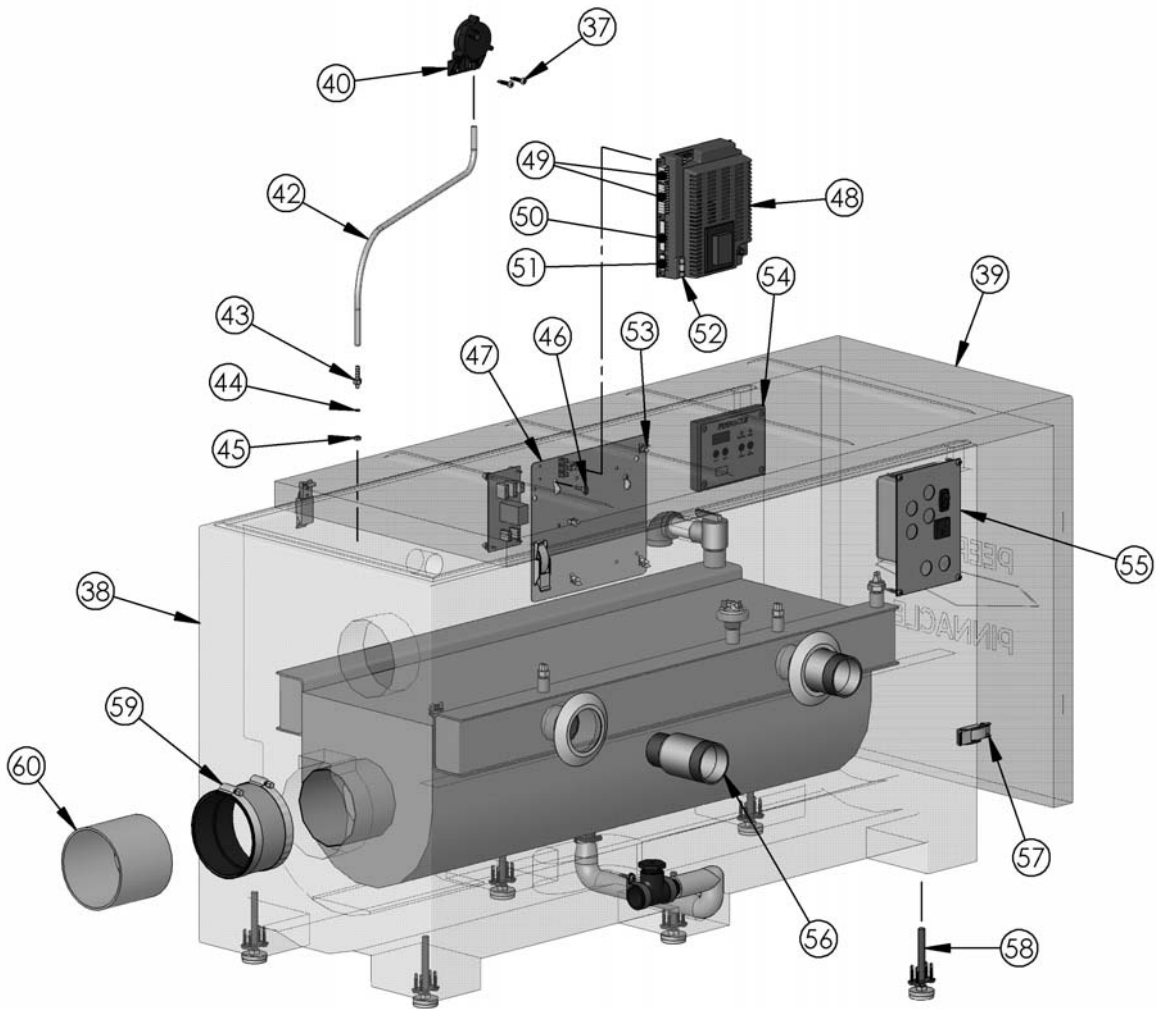
All repair parts orders - no minimum charges.

Please order with code number.

All prices quoted are in U.S. dollars.

All prices subject to change without notice.

All prices F.O.B. Bally, PA



PI-399



Peerless® PINNACLE®

All repair parts orders - no minimum charges.
 Please order with code number.
 All prices quoted are in U.S. dollars.
 All prices subject to change without notice.
All prices F.O.B. Bally, PA

PI-399

	Description	Quantity Required	Stock Code	Trade Price
37	Screw #8 x 1/2" Self Tapping Phil Rd Hd , (Local Hdwr Supply)	2	--	--
38	Jacket – ABS Plastic, Not Available as a Part	1	--	--
39	Cover – ABS Plastic, Not Available as a Part	1	--	--
40	Blocked Vent Pressure Limit Switch	1	91498	\$98
41	N/S Gas Valve Relay – REV 0, REV 1	1	91517	\$316
42	Tubing 3/16" ID PVC, (Local Hdwr Supply)	1	91626	\$2
43	Hose Barb S.S. 1/4" IDT x 10-32, (Local Hdwr Supply)	1	--	--
44	O-Ring 007	1	91512	\$11
45	Nut Hex 10-32 S.S., (Local Hdwr Supply)	1	--	--
46	Screw 1/4-20 x 3/4" Phil Rd Hd, (Local Hdwr Supply)	2	--	--
47	Mounting Panel – Control Board	1	91445	\$42
48	P125 / P926 Upgrade Kit Control Board & Display (399 prog.) REV. 1	1	91618	\$829
	P825 / P926 Upgrade Kit Control Board & Display (399 prog.) REV. 2	1	91622	\$829
49	P125 20 Pin Control Harness – PI-399 – REV 0	1	91520	\$94
N/S	P825 20 Pin Control Harness – PI-399 – REV 2	1	91578	\$149
N/S	9 Pin Wiring Harness (not shown)	1	91580	\$43
N/S	5 Pin Wiring Harness (not shown)	1	91579	\$42
52	Spare Fuse, "Slow blow", Board 6.3Amp, Radio Shack # 270-1068	1	91471	\$32
53	Clips – Control Board	6	91602	\$21
54	Display module, 125 / 825 Display w/ ribbon connector, (Obsolete)– REV 0, REV 1, Rev2	1	91461	\$272
	Display module, 926 Display w/ ribbon connector (Current), connector large	1	91612	\$359
55	Terminal Box	1	91603	\$54
56	Supply Return Nipple 1-1/2" x 2" (Brass) – PI-399	1	91581	\$231
57	Latch Assembly	4	91560	\$213
58	Leveling Foot Socket, (Local Hdwr Supply)	4	--	--
59	4" Exhaust Coupling, (Local Hdwr Supply)	1	--	--
60	Exhaust Stub – 4" SCH 40 PVC x 4" LG, (Local Hdwr Supply)	1	--	--
N/S	4" Steel Vent Termination Kit – PI-399	1	91401	\$939
N/S	Condensate Trap Assembly	1	91576	\$151