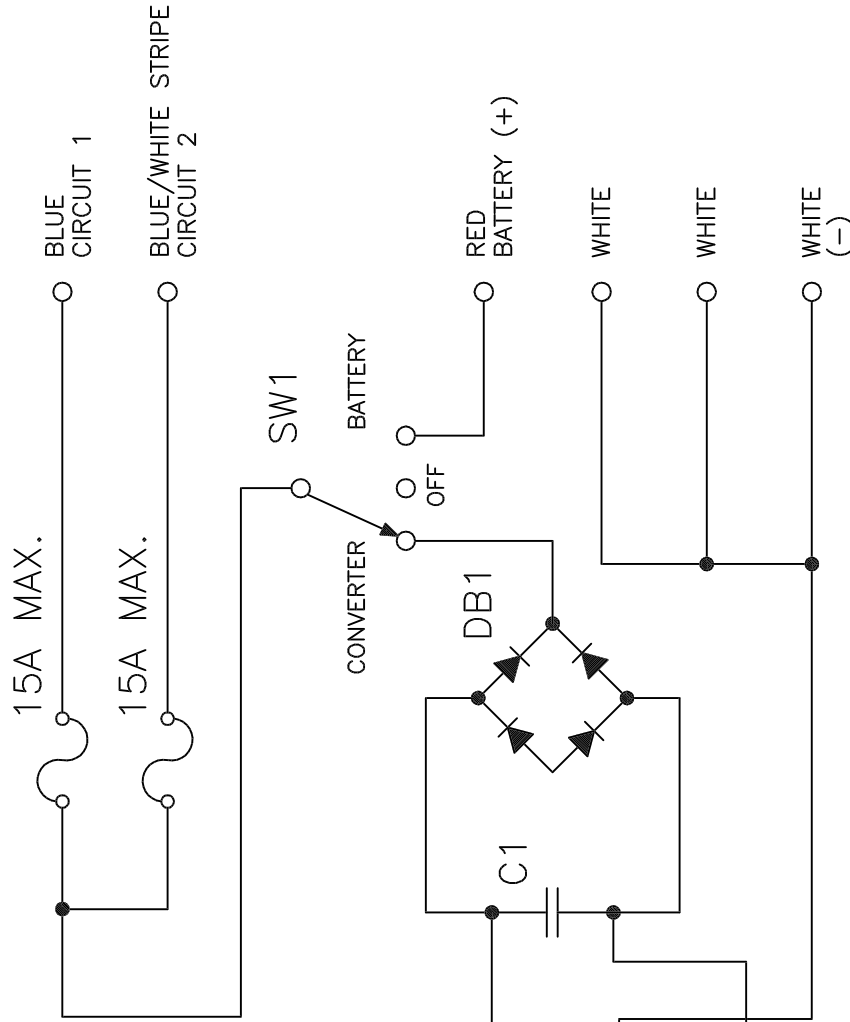
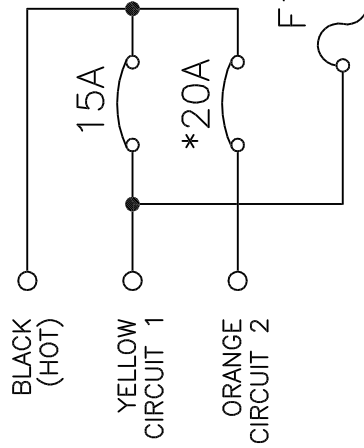


DWG. NO.  
0000031



WHITE  
 WHITE  
 WHITE (NEUTRAL)

\* 15A BRANCH ON MODELS WITH CODE H.

REF.	DESCRIPTION	PART NUMBER
T1	TRANSFORMER	6606
DB1	DIODE 25A 400V	643P17
SW1	SWITCH SPDT ON-OFF-ON	18509061
F1	FUSE 2A 250V SLO BLOW	20526627
TP1	THERMOSTAT 145°C	09507175
C1	CAPACITOR .47mfd 250V	09527114
		17506201L

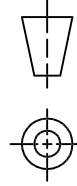
REV.	CHANGE	DATE
A	RELEASED	

UNLESS OTHERWISE SPECIFIED DIMENSIONS ARE IN INCHES:  
 TOLERANCES  
 X/X=#1/64  
 .XXX#=#005

.XX=#.01  
 ==°0°30'

THIS DRAWING CONTAINS INFORMATION PROPRIETARY TO MAGNETEK. ANY REPRODUCTION, DISCLOSURE OR USE OF THIS DRAWING IS EXPRESSLY PROHIBITED EXCEPT AS MAGNETEK MAY OTHERWISE AGREE IN WRITING.

THIRD ANGLE PROJECTION



MATERIAL

FINISH



DWN BY K. YOUNG

CHK BY

APVD BY

SCALE

DATE

10/19/94

TITLE

6606/6612  
 SCHEMATIC

SIZE

A

DRAWING NO.

0000031