



PeerlessBoilers.com

Peerless® PUREFIRE®

PF-460

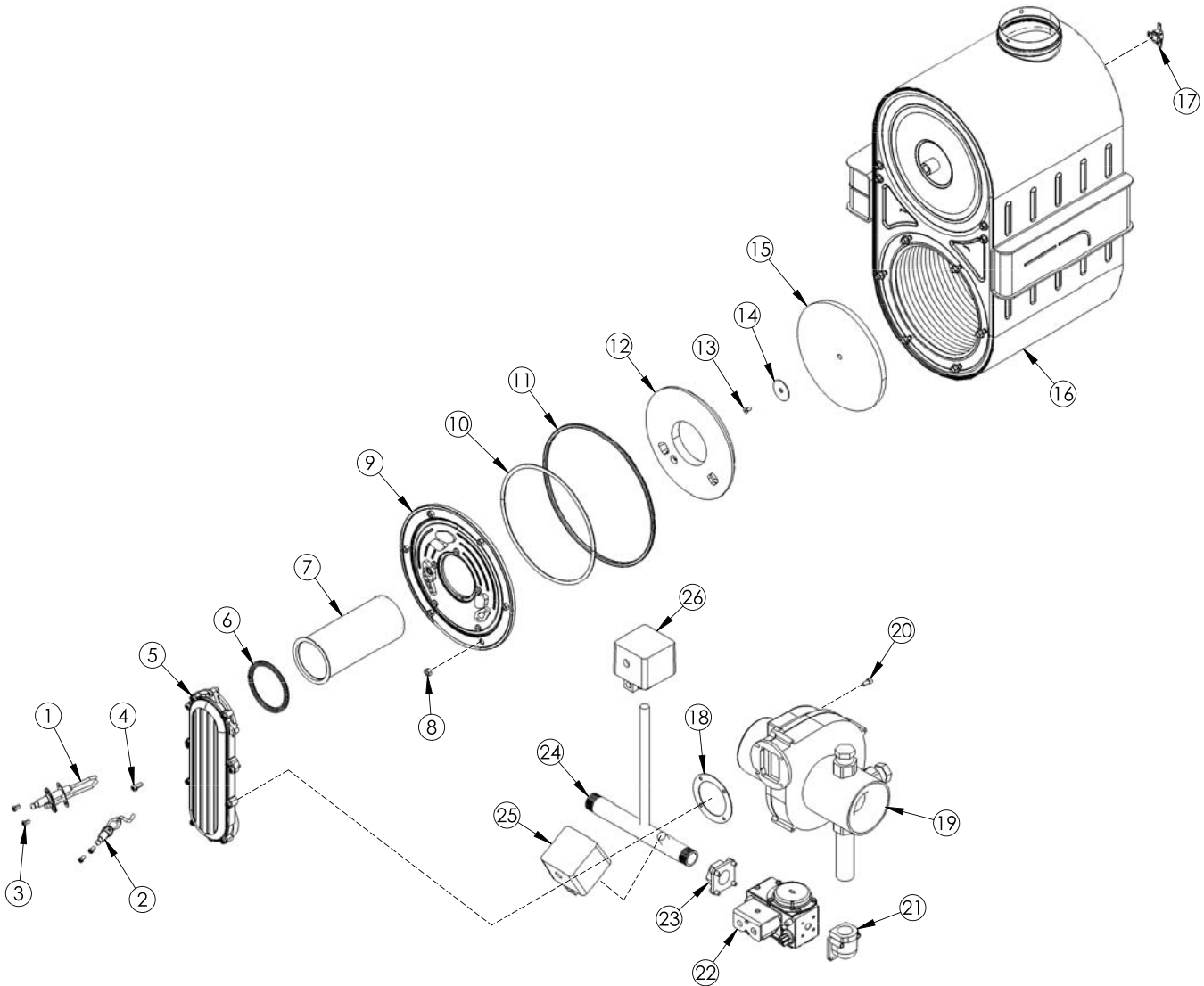
All repair parts orders - no minimum charges.

Please order with code number.

All prices quoted are in U.S. dollars.

All prices subject to change without notice.

All prices F.O.B. Bally, PA



PF-460



PeerlessBoilers.com

Peerless® PUREFIRE®

PF-460

All repair parts orders - no minimum charges.

Please order with code number.

All prices quoted are in U.S. dollars.

All prices subject to change without notice.

All prices F.O.B. Bally, PA

	Description	Quantity Required	Stock Code	Trade Price
1	Ignitor, with Gasket	1	54246	\$90
2	Sensor, with Gasket	1	54247	\$60
3	Screw, M4 x 8mm, (Local Hew Supply)	4	–	–
4	Gasket, Channel to Burner	1	54186	\$30
5	Premix Channel – PF-399/460	1	54250	\$190
6	Gasket, Chanell to Burner	1	54186	\$30
7	Burner – PF-399/460	1	54264	\$673
8	Nut, M6, 10MM Hex, (Local Hdwr Supply)	6	–	–
9	Burner Mounting Plate Kit PUREFIRE, Includes , 8 & 9a	1	54183	\$114
	460 Combustion Chamber Cover Plate Kit, Current ,includes items # 8,10, 11& 12 w/ Hardware	1	54206	\$261
9a	Thermal Tempeture Limit, 435F – Burner Plate (Not Shown)	1	50045	\$15
10	Gasket, Glass Rope, (Must use Cover Plate Kit)	1	–	–
11	Gasket, Rubber	1	54187	\$20
12	Insulation, Combustion Chamber Cover Plate	1	54255	\$35
13	M4 X 8 MM SS Screw Target Wall, (Local Hdwr Supply)	1	–	–
14	Washer, M4, (Local Hdwr Supply)	1	–	–
15	Insulation, Target Wall	1	54185	\$48
16	Heat Exchanger – PF-399/460 (For Credit Reference Only)	1	5530	\$7,599
17	Thermal Tempeture Limit, 605 F	1	54466	\$43
18	Gasket, Blower to Channel	1	54122	\$18
19	Blower- PF-460	1	54700	\$944
20	M5-0.80 X 12MM Screw, (Local Hdwr Supply)	4	–	–
21	90° Flange Connection	1	5543	\$50
22	Dungs 057 Gas Valve	1	54429	\$551
23	Straight Flange Connection	1	5855	\$74
24	Gas Manifold- PF-460	1	54681	\$33
25	High Gas Pressure Switch- Honeywell C6097B1028	1	50701	\$198
26	Low Gas Pressure Switch- Honeywell C6097A1012	1	50700	\$198
N/S	Control Module, 852MN – PF-460	1	54684	\$371
N/S	Display Module, Argus 852RC (PF460)	1	54717	\$0
N/S	KIT PF460 852IF Interface Board (PF460 Only)	1	54701	\$424



PeerlessBoilers.com

Peerless® PUREFIRE®

PF-850, PF-1000 & PF-1500

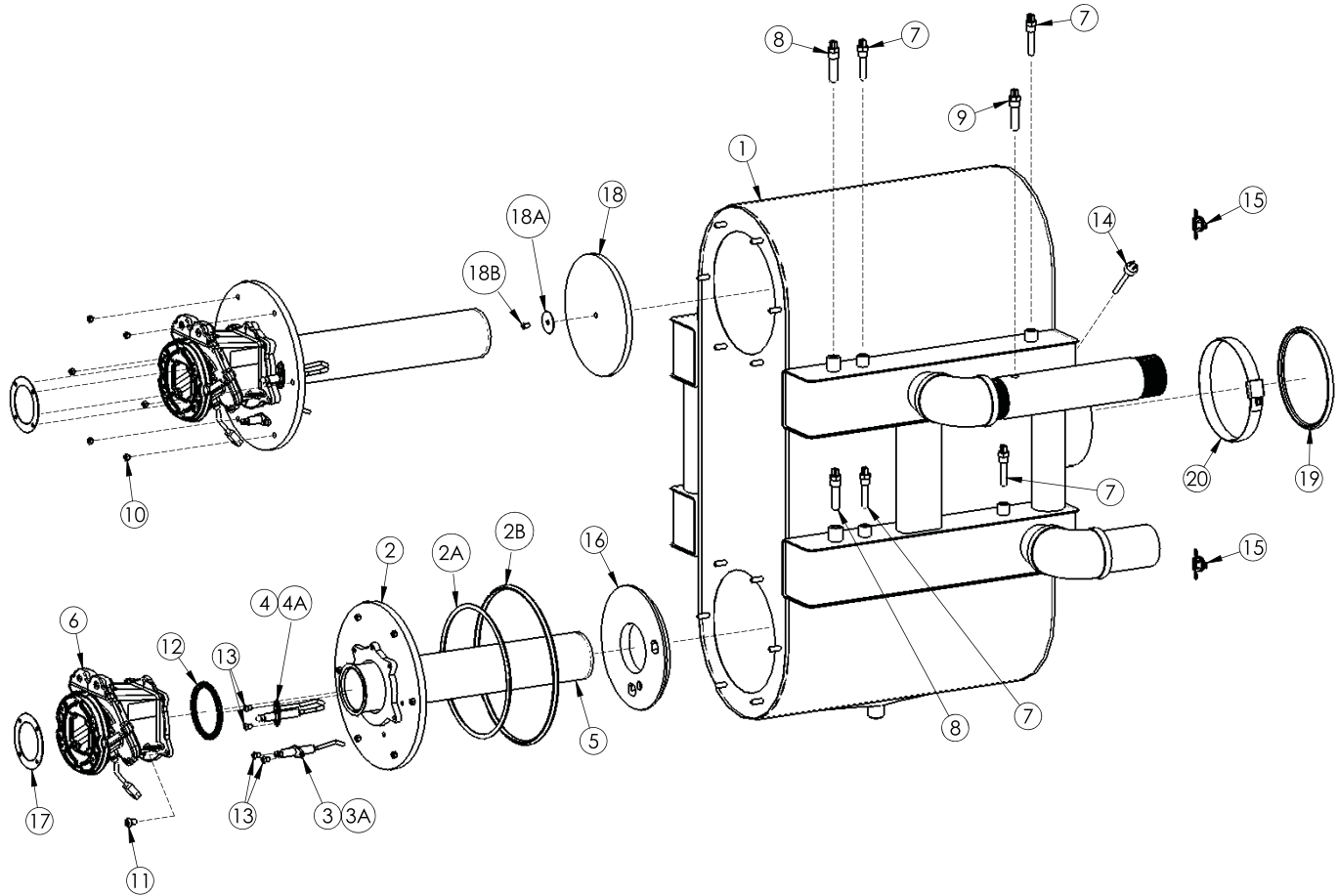
All repair parts orders - no minimum charges.

Please order with code number.

All prices quoted are in U.S. dollars.

All prices subject to change without notice.

All prices F.O.B. Bally, PA



PF-850, PF-1000 & PF-1500



PeerlessBoilers.com

Peerless® PUREFIRE®

PF-850, PF-1000 & PF-1500

All repair parts orders - no minimum charges.

Please order with code number.

All prices quoted are in U.S. dollars.

All prices subject to change without notice.

All prices F.O.B. Bally, PA

	Description	Quantity Required	Stock Code	Trade Price
1	Heat Exchanger – PF-850, for Price Reference Only	1	5651	\$20,636
	Heat Exchanger – PF-1 000, for Price Reference Only	1	5652	\$22,367
	Heat Exchanger – PF-1 500, for Price Reference Only	1	5703	\$32,101
2	Burner Mounting Plate , includes items 2A & 2B	2	54430	\$252
2A	Burner Mounting Plate Rubber Rope , included with item 2	2	54188	\$3
2B	Burner Mounting Plate Rubber Gasket , included with item 2	2	54655	\$19
3	Kit Replacement Gianonni Sensor	2	54699	\$90
3A	Graphite Gasket, Flame Sensor Electrode	2	54124	\$30
4	Kit Replacement Gianonni Igniter	2	54698	\$75
4A	Graphite Gasket, Ignition Electrode	2	54123	\$15
5	Burner Element (Blue Jet) - PFC-850	2	54656	\$425
	Burner Element (Blue Jet) - PFC-850	2	54679	\$425
	Burner Element (Blue Jet) - PFC-1500	2	54657	\$740
6	Flapper Valve Assembly - PFC-850/1000	2	54434	\$1,303
	Flapper Valve Assembly - PFC-1500	2	54625	\$970
7	Supply / Return Sensor - 1/8" NPT 12 kΩ	4	54438	\$36
8	High Limit Switch – 1/4" NPT	2	54419	\$40
9	Header Supply Sensor – 1/4" NPT	1	54418	\$51
10	Hex. Flange Nut M6 Fine Thread, (Local Hdwr Supply)	12	51614	–
11	Screw M5-0.80 x 16 mm Zinc Plated, Flapper Valve Screw ,(Local Hdwr Supply)	10	–	–
12	Burner Gasket	2	54467	\$36
13	Screw M4 x 8 mm Zinc Plated, Ignitor/Flame Sensor Screw, (Local Hdwr Supply)	4	6507	–
14	Flue Temperature Sensor - 1/4" BSP 12 kΩ	1	54111	\$48
15	Thermal Fuse - 318 C, 605 F	2	54466	\$43
16	Burner Mounting Plate Insulation - PF-850/1000	2	54653	\$31
	Burner Mounting Plate Insulation - PF-1500	2	54654	\$24
17	Blower Gasket - PFC-850/1000	2	54504	\$5
	Blower Gasket - PFC-1500	2	54505	\$15
18	Target Insulation	2	54185	\$48
18A	Target Insulation Washer M4 SS Fender ,(Local Hdwr Supply)	2	–	–
18B	Target Insulation Screw M4 x 16 SS ,(Local Hdwr Supply)	2	–	–
19	Exhaust Vent Gasket - 6" PF-850/1000	2	54658	\$30
	Exhaust Vent Gasket - 7" PF-1500	2	54659	\$27
20	Exhaust Vent Clamp - 6" PF-850/1000	2	54660	\$24
	Exhaust Vent Clamp - 7" PF-1500	2	54661	\$30
N/S	2" X 1", w/ 1/4" Tap, Relief Valve and Gauge, Brass Tee (PF-850 & 1000)	1	5744	CF
N/S	2 1/2" X 1 1/4", w/ 1/4" Tap, Relief Valve and Gauge, Brass Tee (PF-1500)	1	5854	CF



PeerlessBoilers.com

Peerless® PUREFIRE®

PF-850, PF-1000 & PF-1500

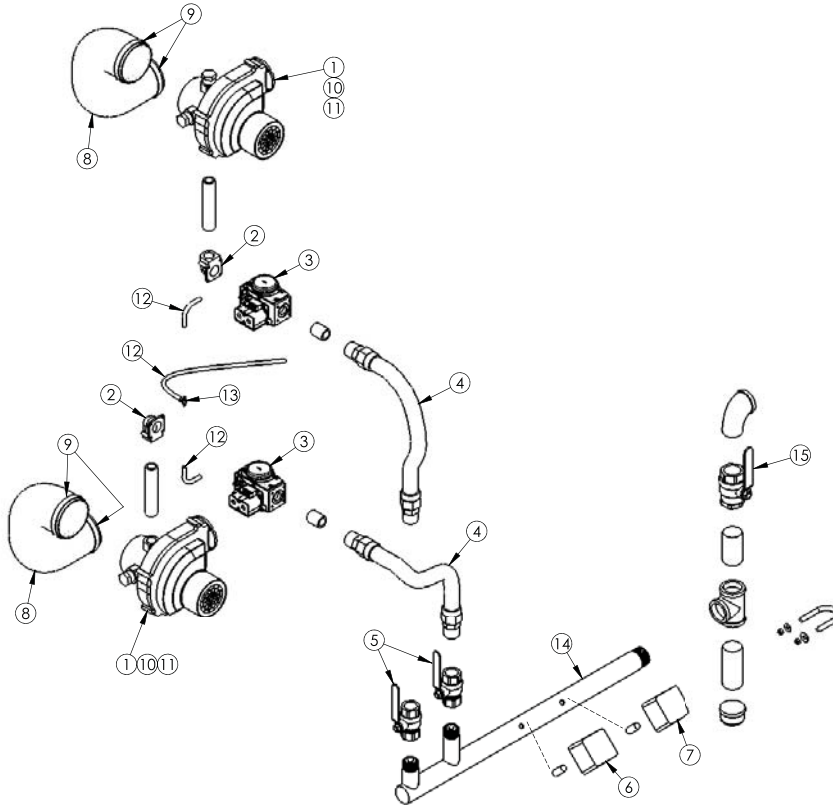
All repair parts orders - no minimum charges.

Please order with code number.

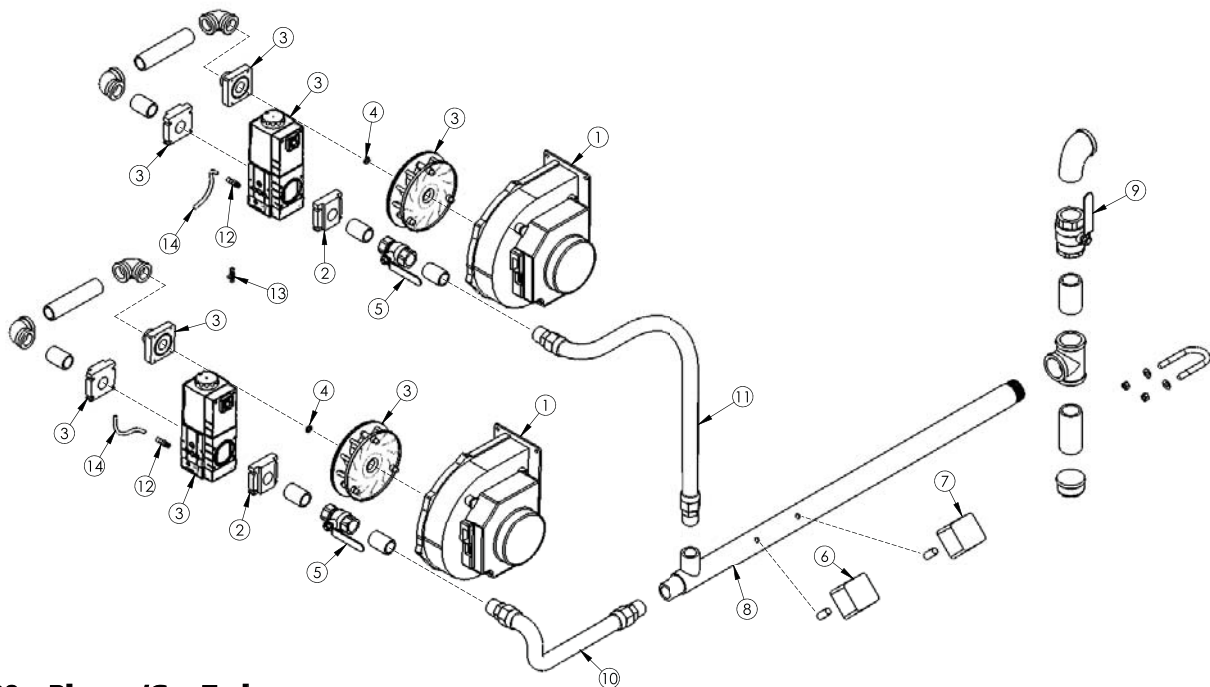
All prices quoted are in U.S. dollars.

All prices subject to change without notice.

All prices F.O.B. Bally, PA



PF-850/1000 – Blower/Gas Train



PF-1500 – Blower/Gas Train



PeerlessBoilers.com

Peerless® PUREFIRE®

PF-850, PF-1000 & PF-1500

All repair parts orders - no minimum charges.

Please order with code number.

All prices quoted are in U.S. dollars.

All prices subject to change without notice.

All prices F.O.B. Bally, PA

PF-850, PF-1000 – Blower/Gas Train

	Description	Quantity Required	Stock Code	Trade Price
1	Blower - PF-850/1000	2	54428	\$928
2	3/4" NPT Flanged Elbow	2	5543	\$50
3	Gas Valve GB-057	2	54429	\$551
4	1" NPT x 18" Flexible Gas Hose	2	54439	\$117
5	1" NPT Gas Shutoff Valve	2	51703	\$85
6	Low Gas Pressure Switch, (Local Supply)	1	50700	\$198
7	High Gas Pressure Switch, (Local Supply)	1	50701	\$198
8	3" Flexible Air Inlet Hose	7.5 ft	54444	\$8
9	4" Hose Clamp	4	54443	\$8
10	Socket Head Cap Screw M5-0.80 x 12 mm, (Local Hdwr Supply)	6	-	-
11	Hex Head Cap Screw M5-0.80 x 12 mm, (Local Hdwr Supply)	2	-	-
12	1/8" ID Reference Tube,	5 ft	1052	\$6
13	1/8" Hose Tee, (Local Hdwr Supply)	-	-	-
14	1-1/4" Gas Inlet Header, PF850	1	54473	\$103
14	1-1/4" Gas Inlet Header, PF1000	1	54474	\$105
15	1-1/4" Ball Valve	1	-	CF
N/S	1-1/4" Gas Regulator, (When Used)	1	50647	\$322

PF-1500 – Blower/Gas Train

	Description	Quantity Required	Stock Code	Trade Price
1	Combustion Air Blower - PF-1500	2	54595	\$1,772
2	Gas Valve Inlet Flange 1" NPT	2	54601	CF
3	Gas Valve w/Shutter, Swirl Plate & Adapter	2	54598	CF
4	Gas Valve Nozzle 12 MM	2	54602	CF
5	1" NPT Gas Shutoff Valve	2	51703	\$85
6	Low Gas Pressure Switch, (Local Supply)	1	50700	\$198
7	High Gas Pressure Switch, (Local Supply)	1	50701	\$198
8	1-1/2" Gas Inlet Header, PF1500	1	54647	-
9	1-1/2" Ball Valve	2	51705	\$191
10	1" NPT x 16" Flexible Gas Line	2	54439	\$117
11	1" NPT x 36" Flexible Gas Line	2	54612	\$120
12	1/8" BSP x 1/8" Tube Adapter	2	5766	\$6
13	1/8" x 1/8" x 1/4" Barb Tee, (Local Hdwr Supply)	1	-	-
14	1/8" ID Reference Tube	2 ft	1052	\$6
N/S	1-1/2" Gas Regulator, (When Used)	1	50646	\$322
N/S	2" Gas Regulator, (When Used)	1	50648	\$644



PeerlessBoilers.com

Peerless® PUREFIRE®

PF-850, PF-1000 & PF-1500

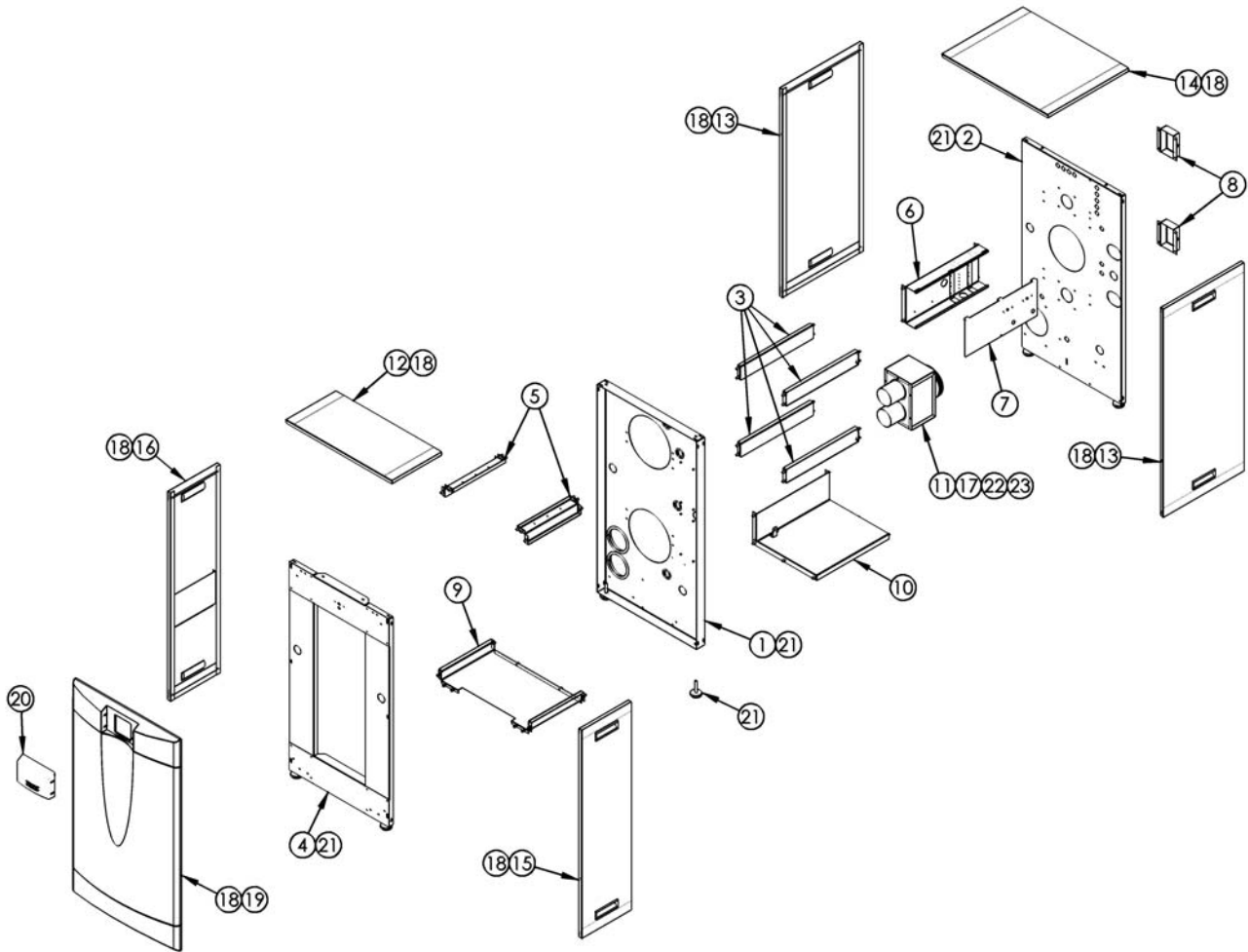
All repair parts orders - no minimum charges.

Please order with code number.

All prices quoted are in U.S. dollars.

All prices subject to change without notice.

All prices F.O.B. Bally, PA



PF-850, PF-1000 & PF-1500



PeerlessBoilers.com

Peerless® PUREFIRE®

PF-850, PF-1000 & PF-1500

All repair parts orders - no minimum charges.

Please order with code number.

All prices quoted are in U.S. dollars.

All prices subject to change without notice.

All prices F.O.B. Bally, PA

	Description	Quantity Required	Stock Code	Trade Price
1	Heat Exchanger Support Panel – Front	1	PF2016	\$667
		1	PF2037	CF
2	Heat Exchanger Support Panel – Rear – PF-850, PF-1 000	1	PF2017	\$667
	Heat Exchanger Support Panel – Rear – PF-1500	1	PF2038	CF
3	Heat Exchanger Support Rails – PF-850	4	PF2018	\$49
	Heat Exchanger Support Rails – PF-1 000	4	PF2018-1	\$53
	Heat Exchanger Support Rails – PF-1 500	4	PF2018-2	CF
4	Blower Cabinet Frame Assembly – PF-850, PF-1 000	1	PF2027	\$663
	Blower Cabinet Frame Assembly – PF-1500	1	PF2027-1	\$663
5	Blower Cabinet Support Rails – PF-850, PF-1 000	2	PF2026	\$42
	Blower Cabinet Support Rails – PF-1500	2	PF2026-1	\$42
6	Electrical Terminal Enclosure – PF-850	1	PF2029	\$167
	Electrical Terminal Enclosure – PF-1 000	1	PF2029-1	\$174
	Electrical Terminal Enclosure – PF-1500	1	PF2029-2	CF
7	Terminal Enclosure Cover – PF-850	1	PF2030	\$57
	Terminal Enclosure Cover – PF-1000	1	PF2030-1	\$65
	Terminal Enclosure Cover – PF-1500	1	PF2030-2	CF
8	Thermal Fuse Cover	2	PF2031	\$34
9	Blower Cabinet Floor Pan – PF-850, PF-1000	1	PF2033	\$183
	Blower Cabinet Floor Pan – PF-1 500	1	PF2039	\$183
10	Condensate System Tray – PF-850	1	PF5027	\$205
	Condensate System Tray – PF-1000	1	PF5027-1	\$209
	Condensate System Tray – PF-1500	1	PF5027-2	\$209
11	Air Inlet Plenum Assembly - PF-850/1000	1	PF5044	\$119
	Air Inlet Plenum Base - PF-1500	1	PF5051	CF
11A	Air Inlet Plenum Cover - PF-1500	1	PF5052	CF
12	Blower Cabinet Top Panel - PF-850/1000	1	PF6069	\$231
	Blower Cabinet Top Panel - PF-1500	1	PF6069-1	CF
13	Side Heat Exchanger Access Panel - PF-850	4	PF6064	\$351
	Side Heat Exchanger Access Panel - PF-1000	4	PF6064-1	\$449
	Side Heat Exchanger Access Panel - PF-1500	4	PF6064-2	CF
14	Top Heat Exchanger Access Panel - PF-850	1	PF6066	\$216
	Top Heat Exchanger Access Panel - PF-1000	1	PF6066-1	\$219
	Top Heat Exchanger Access Panel - PF-1500	1	PF6066-2	CF
15	Blower Cabinet Right Side Panel - PF-850/1000	1	PF6067	\$233
	Blower Cabinet Right Side Panel - PF-1500	1	PF6067-2	\$254
16	Blower Cabinet Left Side Panel - PF-850/1000	1	PF6067-1	\$252
	Blower Cabinet Left Side Panel - PF-1500	1	PF6067-3	CF
17	Air Inlet Screen - PF-850/1000	1	54447	\$13
18	Ball Studs	38	5433	\$5
19	Front Cover Panel	2	54292	\$326
20	Control Lens	1	54127	\$86
21	Leveling Legs	1	5659	\$15
22	1/4" Rubber Grommet	1	6158	\$4



PeerlessBoilers.com

Peerless® PUREFIRE®

PF-850, PF-1000 & PF-1500

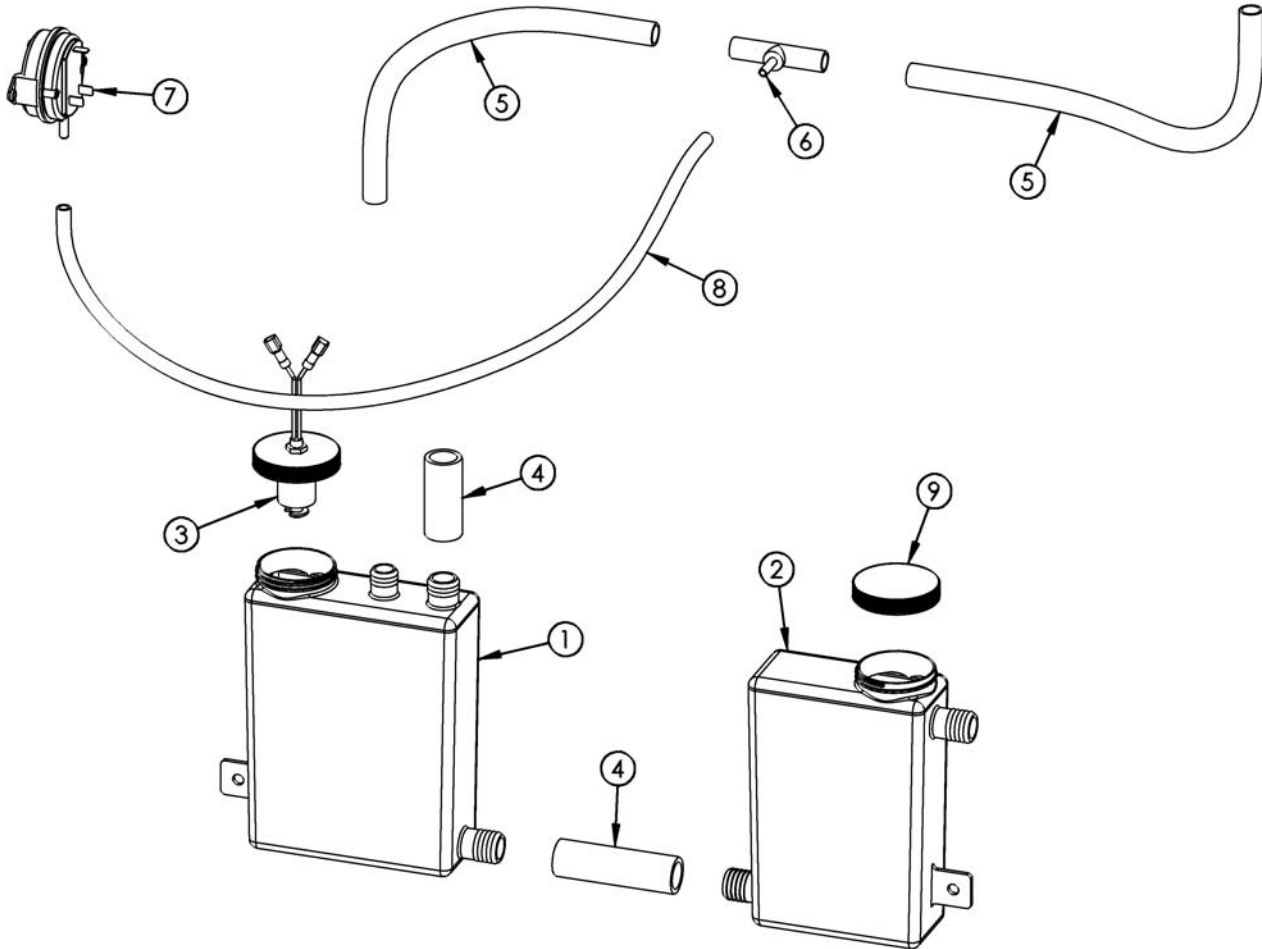
All repair parts orders - no minimum charges.

Please order with code number.

All prices quoted are in U.S. dollars.

All prices subject to change without notice.

All prices F.O.B. Bally, PA



PF-850, PF-1000 & PF-1500 – Condensate System



PeerlessBoilers.com

Peerless® PUREFIRE®

PF-850, PF-1000 & PF-1500

All repair parts orders - no minimum charges.

Please order with code number.

All prices quoted are in U.S. dollars.

All prices subject to change without notice.

All prices F.O.B. Bally, PA

PF-850 – PF-1500 – Condensate System

	Description	Quantity Required	Stock Code	Trade Price
1	Condensate Receiver Container	1	54120	\$94
2	Condensate Neutralizer Container	1	54121	\$94
3	Condensate Blocked Drain Switch	1	54137	\$69
4	1" OD x 3/4" ID PVC Condensate Hose	3 in	5417	\$4
5	5/8" OD x 1/2" ID PVC Condensate Hose	4 ft	5416	\$4
6	5/8" x 5/8" x 1/4" Hose Barb Tee	1	5665	\$5
7	Blocked Vent Pressure Switch	1	54208	\$19
8	1/4" ID PVC Tubing	2 ft	5563	\$6

PF-850, PF-1000 & PF-1500 – Miscellaneous Parts – Loose

	Description	Quantity Required	Stock Code	Trade Price
1	Relief Valve - PFC-850	1	51300	\$184
	Relief Valve - PFC-1000/1500	1	51301	\$324
2	Temperature/Pressure Gauge	1	51324	\$27
3	6" Stainless Steel Boot Tee with Test Port	1	5680	\$345
	7" Stainless Steel Boot Tee with Test Port	1	5747	\$403
4	6" Stainless Steel Drain Fitting	1	5681	\$165
	7" Stainless Steel Drain Fitting	1	5748	\$220
5	6" Stainless Steel x 6" PVC Adapter	1	5682	\$104
	7" Stainless Steel x 8" PVC Adapter	1	5749	\$366
6	6" Diameter Exhaust/Air Intake Screen	1	54446	\$11
	8" Diameter Exhaust/Air Intake Screen	1	54682	\$0
7	Stacking Spacer	6	1457	\$8
8	Outdoor Sensor	1	54112	\$55
9	DHW Sensor, Optional 12kOhm Tasseron TSK1 0BH	1	54157	\$65
10	Condensate Neutralizing Media (1 lb bag)	2	54159	\$27



PeerlessBoilers.com

Peerless® PUREFIRE®

PF-850, PF-1000 & PF-1500

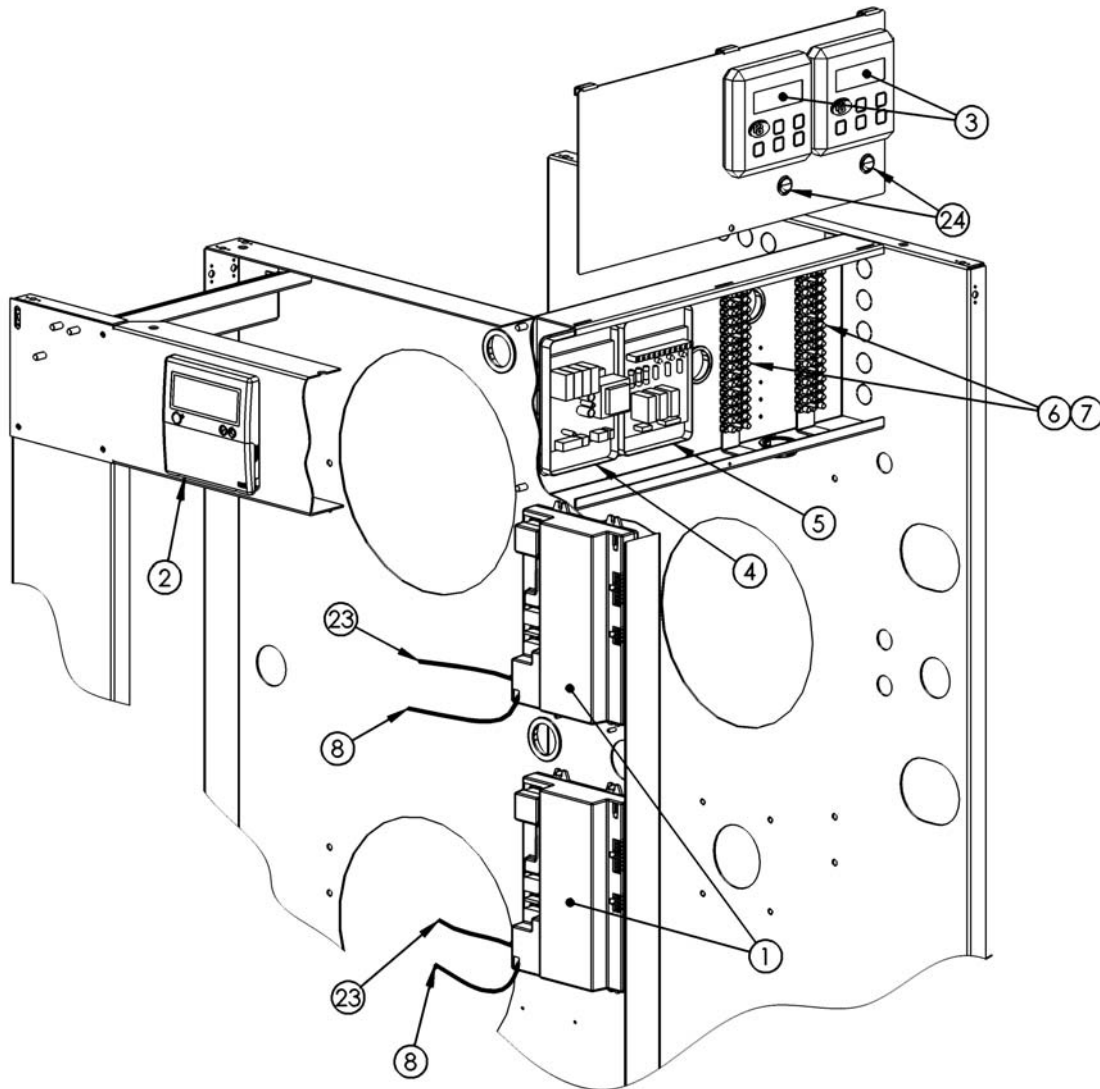
All repair parts orders - no minimum charges.

Please order with code number.

All prices quoted are in U.S. dollars.

All prices subject to change without notice.

All prices F.O.B. Bally, PA





PeerlessBoilers.com

Peerless® PUREFIRE®

PF-850, PF-1000 & PF-1500

All repair parts orders - no minimum charges.

Please order with code number.

All prices quoted are in U.S. dollars.

All prices subject to change without notice.

All prices F.O.B. Bally, PA

	Description	Quantity Required	Stock Code	Trade Price
1	Primary Burner Safety Control - PF-850	2	54468	\$360
	Primary Burner Safety Control - PF-1000	2	54469	\$361
	Primary Burner Safety Control - PF-1500	2	54613	\$360
2	User Interface Pixel Display	1	54441	\$481
3	Installer Interface LED Display	2	54689	\$293
4	Interface Module	1	54442	\$335
5	3 module Relay w/ 3 Fuses, Obsolete	1	54437	\$206
	Pump Relay Module 10 Amp 4 module Relay w/ 2 Fuses,	1	54556	\$235
N/S	10-Amp 125V 5x20mm Slow Blow Fuse, Radio Shack-270-152	-	-	-
6	Terminal Block - 10 Pole	2	5450	\$18
7	Terminal Block - 6 Pole	2	5547	\$13
8	Ignition Cable with 1KΩ Resistor	2	54298	\$23
9	Harness J5M Managing Control Sensors PF-850/1000*	1	54448	\$126
	Harness J5M Managing Control Sensors PF-1500*	1	54614	CF
10	Harness J5D Dependent Control Sensors PF-850/1000*	1	54449	\$46
	Harness J5D Dependent Control Sensors PF-1500*	1	54615	\$45
11	Harness J16M Managing Flapper/Limits PF-850/1000*	1	54450	\$85
	Harness J16M Managing Flapper/Limits PF-1500*	1	54616	\$58
12	Harness J16D Dependent Flapper/Limits*	1	54451	\$30
13	Harness J2M Managing Control/Blower Power PF-850/1000*	1	54452	\$73
	Harness J2M Managing Control/Blower Power PF-1500*	1	54617	CF
14	Harness J2D Dependent Control/Blower Power PF-850/1000*	1	54453	\$43
	Harness J2D Dependent Control/Blower Power PF-1500*	1	54618	\$42
15	Harness J13M Managing Gas Valve/Flame Sensor/Limit PF-850/1000*	1	54454	\$137
	Harness J13M Managing Gas Valve/Flame Sensor/Limit PF-1500*	1	54619	\$46
16	Harness J13D Dependent Gas Valve/Flame Sensor/Limit PF-850/1000*	1	54455	\$124
	Harness J13D Dependent Gas Valve/Flame Sensor/Limit PF-1500*	1	54620	\$46
17	Harness J7 General Circulator PF-850/1000*	1	54456	\$28
	Harness J7 General Circulator PF-1500*	1	54621	\$27
18	Harness J6M Managing CH/DHW Circulator*	2	54457	\$30
19	Harness Line Voltage Terminal Strip/Power Switch PF-850/1000*	1	54587	\$154
	Harness Line Voltage Terminal Strip/Power Switch PF-1500*	1	54622	\$159
20	Harness J9 Blower Control PF-850/1000*	2	54459	\$33
	Harness J9 Blower Control PF-1500*	2	54623	\$34
21	Harness Managing Thermal Fuse w/Conduit*	1	54460	\$30
22	Harness Dependent Thermal Fuse w/Conduit*	1	54461	\$42
23	Harness Ground	2	PF7009	\$15
24	Rocker Switch, (Local Hdwr Supply)	2	6050	\$12